

CHANDLER & PRICE CRAFTSMAN PRESS

with

**C. & P. Rice Automatic
Feeder**

10x15 and 12x18



Component Parts List

When ordering parts:—

Always give the serial number of the unit which is found stamped on the bed of the press in the upper left-hand corner. *R D 1972*

Always give the size of press, part number, and the name and description of the part wanted.

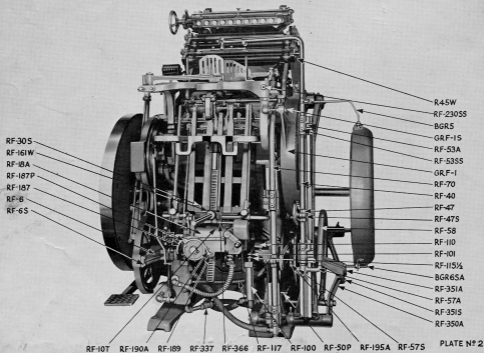
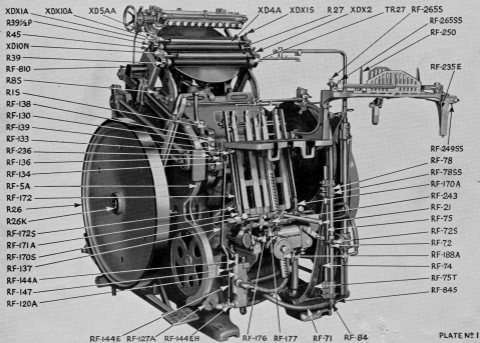
Always state the definite mode of transportation, whether Air Mail—Express—Parcel Post—Freight.

When ordering by wire, use Code words listed in the left-hand column, specifying quantity of each part wanted. The Code word will indicate to us the number and name of the part.

Parts are shipped f.o.b. factory and any prices listed are subject to change without notice.

In practically all cases parts ordered will be shipped from the factory the same day the order is received.

Too much information is always better than not enough. A close observance of the above suggestions will eliminate the possibility of error and will expedite service.



COMPONENT PARTS LIST

Part Number	Part Shown on Plate No.	Code	Name and Description	Part Number	Part Shown on Plate No.	Code	Name and Description
BGR2	3	OBABU	Belt Guard Rear Support	CF19P	Not Shown	OBICA	Brayer Fountain Vibrating Roller Cam Pin
BGR2N	Not Shown	OBACE	Belt Guard Rear Support Screw Nut	CF19S	Not Shown	OBIDY	Brayer Fountain Vibrating Roller Cam Ball Screw
BGR2S	3	OBADO	Belt Guard Rear Support Screw	CF20A	Not Shown	OBIFE	Brayer Fountain Brayer Arm Shaft
BGR2W	Not Shown	OBABA	Belt Guard Rear Support Screw Washer	CF20B	Not Shown	OBIGL	Brayer Fountain Spring
BGR4	Not Shown	OBAGR	Belt Guard Support Bracket	CF20EW	Not Shown	OBIIHA	Brayer Fountain Spring Washer
BGR5	3	OBABA	Belt Guard Brace Rod	CF20K	Not Shown	OBIIJA	Brayer Fountain Brayer Arm Key
BGR5LN	Not Shown	OBABJ	Belt Guard Brace Rod Nut	CF20P	Not Shown	OBIIKY	Brayer Fountain Brayer Arm Taper Pin
BGR5N	Not Shown	OBABK	Belt Guard Brace Rod Wing Nut	CF21AA	10	OBILD	Brayer Fountain Brayer Arm, Left
BGR5W	Not Shown	OBALM	Belt Guard Brace Rod Washer	CF21R	10	OBIMS	Brayer Fountain Spring Rod
BGR6A	Not Shown	OBAMI	Belt Guard Lower Support	CF21RC	Not Shown	OBINT	Brayer Fountain Spring Rod Cotter
BGR6N	Not Shown	OBANE	Belt Guard Lower Support Nut	CF21RS	10	OBIPU	Brayer Fountain Spring Rod Stud
BGR6SA	Not Shown	OBART	Belt Guard Lower Support Stud Nut	CF21RSC	Not Shown	OBIQE	Brayer Fountain Spring Rod Stud Cotter
BGR6W	Not Shown	OBASM	Belt Guard Lower Support Washer	CF21RWC	Not Shown	OBIRM	Brayer Fountain Spring Rod Stud Washer
BGR7	3	OBATU	Belt Guide	CF21RS	Not Shown	OBIST	Brayer Fountain Brayer Arm Set Screw
BGR7N	3	OBAVI	Belt Guide Nut	CF22AA	10	OBITH	Brayer Fountain Brayer Arm, Right
BGR7W	3	OBAWL	Belt Guide Nut Washer	CF22R	10	OBIVE	Brayer Fountain Brayer Arm Safety Handle
BGR10	3	OBAXE	Belt Guard	CF22½S	10	OBIIWU	Brayer Fountain Swinging Arm Spring Rod Stud
BL1	6	OBABO	Brake Lever	CF23	10	OBIXL	Brayer Fountain Roll Large Gear
BL1P	6	OBEBT	Brake Lever Pin	CF23P	Not Shown	OBIZO	Brayer Fountain Roll Large Gear Pin
BL1PC	Not Shown	OBBS	Brake Lever Cotter	CF24	10	OBJAW	Brayer Fountain Ratchet Lever
BL2	6	OBBOF	Brake Lever Bracket	CF24PC	Not Shown	OBJEF	Brayer Fountain Ratchet Lever Stud Cotter
BL2S	Not Shown	OBBUV	Brake Lever Bracket Screw	CF25	Not Shown	OBJIG	Brayer Fountain Ratchet Pawl Spring Latch
BL2SN	Not Shown	OBBCAT	Brake Lever Bracket Screw Nut	CF27A	Not Shown	OBJOB	Brayer Fountain Composition Roller Gear
BL2S2	6	OBBCS	Brake Lever Bracket Set Screw	CF27C	Not Shown	OBJUS	Brayer Fountain Composition Roller Gear Cotter
BL2SW	Not Shown	OBICID	Brake Lever Bracket Screw Washer	CF28	Not Shown	OBKAM	Brayer Fountain Composition Roller Saddle, Left
BL2SN2	Not Shown	OBBOC	Brake Lever Bracket Set Screw Lock Nut	CF28C	Not Shown	OBKER	Brayer Fountain Composition Roller Saddle Cotter
BL3	3	OBUCU	*Brake Shoe	CF28E	Not Shown	OBKIS	Brayer Fountain Composition Roller Saddle Spring
BL3S	3	OBDMA	Brake Shoe Screw	CF28S	Not Shown	OBKOF	Brayer Fountain Composition Roller Saddle Screw
BL3SN	Not Shown	OBDEF	Brake Shoe Screw Nut	CF28½	Not Shown	OBKUP	Brayer Fountain Composition Roller Saddle, Right
BL4	Not Shown	OBDDN	Brake Shoe Lining Rivet	CF29	Not Shown	OBLAS	Brayer Fountain Composition Roller Stock
BL5	6	OBDFP	Brake Shoe Lining	CF29 Cast	Not Shown	OBLKW	Brayer Fountain Composition Roller Stock Cast
CF1A	10	OBDDUB	Brayer Fountain Side Frame, Left	CF30	Not Shown	OBLIX	Brayer Fountain Bracket Rod, Short
CF1N	Not Shown	OBEBI	Brayer Fountain Front Rod Nut	CF30N	Not Shown	OBLQG	Brayer Fountain Bracket Rod Nut
CF1R	Not Shown	OBECA	Brayer Fountain Front Rod	CF31	10	OBLUV	Brayer Fountain Bracket Rod, Long
CF1½	Not Shown	OBEDU	Brayer Fountain Side Frame Swivel Plug, Left	CF34A	10	OBMAG	Brayer Fountain Index Plate
CF1½LS	Not Shown	OBEPF	Brayer Fountain Side Frame Swivel Plug Bracket Screw	CF34N	10	OBMED	Brayer Fountain Index Plate Stud Wing Nut
CF1½S	Not Shown	OBEGO	Brayer Fountain Side Frame Swivel Plug Adjusting Screw	CF34S	Not Shown	OBMIN	Brayer Fountain Index Plate Stud
CF2A	10	OBHHI	Brayer Fountain Side Frame, Right	CF34SW	Not Shown	OBMOK	Brayer Fountain Index Plate Stud Washer
CF2½	10	OBELU	Brayer Fountain Side Frame Swivel Plug, Right	CF35	10	OBMLU	Brayer Fountain Throw-Off Rod Stop Collar
CF2½N	10	OBEKA	Brayer Fountain Side Frame Swivel Plug Nut	CF35P	Not Shown	OBNAW	Brayer Fountain Throw-Off Rod Stop Collar Pin
CF3A	10	OBELI	Brayer Fountain Front Bar	CF36A	10	OBNEG	Brayer Fountain Throw-Off Plate
CF3S	Not Shown	OBEME	Brayer Fountain Front Bar Screw	CF36E	Not Shown	OBNIL	Brayer Fountain Throw-Off Plate Spring
CF4	10	OBENS	Brayer Fountain Rear Bar	CF36P	Not Shown	OBNOS	Brayer Fountain Throw-Off Plate Roller Pin
CF4S	Not Shown	OBEPH	Brayer Fountain Rear Bar Screw	CF37	10	OBNUT	Brayer Fountain Throw-Off Plate Roller
CF5	10	OBEGU	Brayer Fountain Side Frame Cap, Left	CF38	10	OBORIS	Brayer Fountain Ratchet Lever Roller
CF5C	Not Shown	OBERT	Brayer Fountain Side Frame Cap Oil Cup	CF38S	Not Shown	OBOCI	Brayer Fountain Ratchet Lever Roller Stud
CF5N	Not Shown	OBESH	Brayer Fountain Side Frame Cap Screw Wing Nut	CF43C	Not Shown	OBODY	Brayer Fountain Throw-Off Rod Cotter
CF5NP	Not Shown	OBETS	Brayer Fountain Side Frame Cap Screw Wing Nut Pin	CF43E	10	OBOPA	Brayer Fountain Throw-Off Rod Spring
CF5P	Not Shown	OBEVA	Brayer Fountain Side Frame Cap Pin	CF45	10	OBOGI	Brayer Fountain Safety Stop Rod
CF5S	Not Shown	OBEWI	Brayer Fountain Side Frame Cap Screw	CF45E	Not Shown	OBORN	Brayer Fountain Safety Stop Rod Pin
CF6	10	OBEXU	Brayer Fountain Side Frame Cap, Right	CF45P	Not Shown	BOJE	Brayer Fountain Safety Stop Rod Guide Pin
CF7	10	OBEYS	Brayer Fountain Bracket, Left	CF46	10	OBOKA	Brayer Fountain Safety Stop Rod Handle
CF7P	3	OBZEU	Brayer Fountain Bracket Retaining Pin	CF46P	Not Shown	OBOLP	Brayer Fountain Safety Stop Rod Handle Pin
CF7S	Not Shown	OBFAT	Brayer Fountain Bracket Screw	CF49AA	10	OBOME	Brayer Fountain Roll Handwheel
CF7SS	Not Shown	OBFEL	Brayer Fountain Bracket Set Screw	CF49P	Not Shown	OBONS	Brayer Fountain Roll Handwheel Pin
CF7W	Not Shown	OBFIR	Brayer Fountain Bracket Set Screw Washer	CF55	10	OBOPL	Brayer Fountain Side Arm Washer
CF8	10	OBFOG	Brayer Fountain Bracket, Right	CF55C	Not Shown	OBODU	Brayer Fountain Side Arm Washer Cotter
CF9	10	OBFTT	Brayer Fountain Cover	CF55N	Not Shown	OBORN	Brayer Fountain Side Arm Washer Stud
CF9L	Not Shown	OBGAK	Brayer Fountain Cover Latch				
CF9R	Not Shown	OBGED	Brayer Fountain Cover Rivet				
CF10	Not Shown	OBGIT	Brayer Fountain Blade				
CF10S	Not Shown	OBGOS	Brayer Fountain Blade Screw				
CF13	10	OBGUS	Brayer Fountain Roll				
CF15	Not Shown	OBHAC	Brayer Fountain Roll Shaft				
CF16	10	OBHEN	Brayer Fountain Vibrating Roller				
CF18	Not Shown	OBHIL	Brayer Fountain Vibrating Roller Shaft				
CF19	Not Shown	OBHOT	Brayer Fountain Vibrating Roller Cam				
CF19BB	Not Shown	OBHUM	Brayer Fountain Vibrating Roller Cam Ball				
CF19N	Not Shown	OBIBS	Brayer Fountain Vibrating Roller Cam Ball Screw Lock Nut				

*Parts marked with an asterisk indicate special fitting and will be shipped with their mating part or parts
IMPORTANT—Be sure to mention size of press for which parts are being ordered.

COMPONENT PARTS LIST—Continued

Part Number	Part Shown on Plate No.	Code	Name and Description	Part Number	Part Shown on Plate No.	Code	Name and Description
CF55P	Not Shown	OBOSK	Brayer Fountain Side Arm Washer Dowel	R12BSS	Not Shown	OCAHR	Crank Shaft Set Screw
CF68S	10	OBOTL	Brayer Fountain Side Arm Washer Stud	R12C	Not Shown	OCAJI	Crank Shaft Oil Cup
CF8T	10	OBOWE	Brayer Fountain Blade Adjusting Screw	R12T	5	OCAKO	Crank Shaft Oil Tube
CF80	10	OBOWT	Brayer Fountain Ratchet Wheel	R12TC	Not Shown	OCALM	Crank Shaft Single Oil Tube Clip
CF89K	Not Shown	OBOWI	Brayer Fountain Ratchet Wheel Key	R12TCP	Not Shown	OCALT	Crank Shaft Single Oil Tube Clip Rivet
CF90	10	OBOYS	Brayer Fountain Ratchet Pawl	R13	3	OCAMI	Pinion
CF90S	Not Shown	OBODI	Brayer Fountain Ratchet Pawl Screw	R13K	5	OCADK	Pinion Key
CF90 ^{1/2} S	Not Shown	OBOPAN	Brayer Fountain Driver Stud	R14M33	5	OCAPU	*Large Gear Cam Wheel
CF90 ^{1/2} SC	Not Shown	OBPES	Brayer Fountain Driver Stud Cotter	R1413	Not Shown	OCARS	Large Gear Cam Wheel Steel Segment
CF90 ^{1/2} SN	Not Shown	OBPIL	Brayer Fountain Driver Stud Nut	R1413S	Not Shown	OCASM	Large Gear Cam Wheel Steel Segment Screw
CF90 ^{1/2} SW	Not Shown	OBPOT	Brayer Fountain Driver Stud Washer	R15	4	OCATI	*Rocker Lock Roller
CF92	10	OBPUK	Brayer Fountain Cover Knob	R15C	4	OCAVA	Rocker Lock Roller Oil Cup
CF99	Not Shown	OBQAW	Brayer Fountain Name Plate	R15C4	4	OCAWK	Rocker Lock Roller Stud
CF99R	Not Shown	OBQER	Brayer Fountain Name Plate Rivet	R15SN	4	OCAXY	Rocker Lock Roller Nut
CFR24P	10	OBQON	Brayer Fountain Ratchet Rod	R16	6	OCAYN	Small Head and Lock Cam
CFR26	10	OBQON	Brayer Fountain Ratchet Rod	R17	3	OCAZE	Roller Arm
CFR36S	10	OBHUE	Brayer Fountain Throw-Off Plate Stud	R17N	Not Shown	OCBAD	Roller Arm Stud Nut
CFR43	10	OBRAY	Brayer Fountain Throw-Off Rod	R17S	6	OCBEG	Roller Arm Stud
CFR90 ^{1/2}	Not Shown	OBRED	Brayer Fountain Driver	R17W	3	OCBIN	Roller Arm Washer
CFR90 ^{1/2} S	Not Shown	OBRIC	Brayer Fountain Driver Screw	R17WS	3	OCBOR	Roller Arm Washer Screw
ER1A	3	OBROT	Motor Bracket Name Plate Rivet	R18	5	OCBUM	Gripper Cam Roller
ER1S	Not Shown	OBRUZ	Motor Bracket Screw	R18SA	6	OCOCAL	Gripper Cam Roller Stud
ER1SS	3	OBSSA	Motor Bracket Set Screw (Short)	R18SN	Not Shown	OCCEB	Gripper Cam Roller Stud Nut
ER1SSN	Not Shown	OBSEZ	Motor Bracket Set Screw Nut	R20	10	OCCKI	Hand Feed Table Bracket
ER1 ^{1/2} SS	3	OBSSN	Motor Bracket Set Screw (Long)	R21	6	OCOCF	*Roller Frame, Left
ER1AA	3	OBSOC	Motor Bracket Rail (Short)	R21S	6	OCOCU	Roller Frame Arms Stud
ER1JN	3	OBSTU	Motor Bracket Rail Nut	R22	3	OCODM	Roller Frame, Right
ER1S	3	OBTAP	Motor Bracket Rail Screw	R22 ^{1/2}	3	OCODE	Disc Lever Cam
ER1W	3	OBTEK	Motor Bracket Rail Screw Washer	R22 ^{1/2} S	Not Shown	OCDIS	Disc Lever Cam Screw
ER2 ^{1/2}	3	OBTIN	Motor Bracket Rail (Long)	R23A	3	OCODR	Name Plate
GR1	Not Shown	OBTOG	Hand Feed Gear and Pinion Guard	R23P	Not Shown	OCODU	Name Plate Pin
GR1S	Not Shown	OBTUS	Hand Feed Gear and Pinion Guard Screw	R23S	3	OCOEI	Name Plate Screw
GR8	3	OBVAH	Disc Gear Guard	R26	1	OCCEA	Fly Wheel
GR8S	Not Shown	OBVEY	Disc Gear Guard Screw	R26K	1	OCEDY	Fly Wheel Key
GR63	3	OBVIT	Form Roller Guard	R27	1	OCEFI	Roller Truck
GRF-1	2	OBVOL	Gear and Pinion Guard	R28L	3	OCEGO	Chase Lag (Bottom)
GRF-1S	2	OBVOL	Gear and Pinion Guard Screw	R28LN	Not Shown	OCCHS	Chase Lag Nut
R0	5	OBWAT	*Frame	R28LP	Not Shown	OCCEA	Chase Lag Pin
R1A	4	OBWEX	Roller Arm Bracket	R28 ^{1/2}	4	OCCKL	Chase Hook
R1K	4	OBWIN	Roller Arm Bracket Screw	R28 ^{1/2} S	5	OCCLI	Chase Hook
R1S	1	OBWOP	Roller Arm Bracket Set Screw (Short)	R30	3	OCCEM	Chase Hook Lever Spring
R1SS	Not Shown	OBWUJ	Roller Arm Bracket Set Screw (Long)	R30H	5	OCENT	Chase Hook Lever Spring Hanger
R1W	Not Shown	OBXAC	Roller Arm Bracket Washer	R30L	5	OCGPU	Chase Hook Lever
R3	5	OBXEL	*Bed	R30LS	6	OCERD	Chase Hook Lever Screw
R3TA	6	OBXIP	*Adjustable Bed Track, Left	R30N	6	OCESA	Chase Hook Nut
R3TCS	6	OBXOR	Adjustable Bed Track Screw	R30S	5	OCETH	Chase Hook Screw
R3TR	Not Shown	OBXUM	Adjustable Bed Track Chase Stop (Side)	R31	5	OCXVL	*Gripper Bar
R3TS	5	OBYAT	Adjustable Bed Track Adjusting Screw (Upper)	R31S	6	OCWSS	Gripper Bar Spring
R4A	5	OBVBU	*Platen	R31H	6	OCXCI	Gripper Bar Spring Hook
R4PL	10	OBYCK	Cutting Plate	R31P	Not Shown	OCXZA	Gripper Bar Pin
R4TA	5	OBYDO	*Adjustable Bed Track, Right	R32	5	OCFAB	Gripper Bar Roller
R4TS	5	OBYET	Adjustable Bed Track Adjusting Screw (Lower)	R32N	Not Shown	OCFEK	Gripper Bar Roller Screw Nut
R6	4	OBVFA	Rocker Lock	R32S	Not Shown	OCFIS	Gripper Bar Roller Screw
R6E	Not Shown	OBYGI	Rocker Lock Spring	R33	Not Shown	OCFOM	*Cam Roller
R6R	4	OBYHA	Rocker Lock Spring Rod	R33S	Not Shown	OCFUL	*Cam Roller Stud
R6SS	Not Shown	OBVID	Rocker Lock Set Screw	R33SN	Not Shown	OCGAP	Cam Roller Stud Nut
R7 ^{1/2}	3	OBVJU	*Disc	R33T	5	OCGES	Cam Roller Oil Tube
R7 ^{1/2} S	Not Shown	OBVKA	Disc Stud	R33TC	Not Shown	OCGIN	Cam Roller Oil Tube Clamp
R8A	3	OBVLE	Disc Bracket	R36	Not Shown	OCGOR	Cam Roller Oil Tube Clamp Pin
R8C	3	OBVMO	Disc Bracket Oil Cup	R36S	9	OCOLP	Disc Lever Cam Roller
R8E	1	OBVNS	Disc Bracket Screw	R36S	9	OCIAW	Disc Lever Cam Roller Stud
R8SW	Not Shown	OBVOM	Disc Bracket Washer	R36SC	Not Shown	OCJET	Disc Lever Cam Roller Stud Cotter
R10	3	OBYPA	Small Disc Gear	R37-1	9	OCCHF	*Adjustable Disc Lever
R10C	3	OBYRL	Small Disc Gear Lock	R37-1N	Not Shown	OCCHP	Adjustable Disc Lever Adjusting Screw Nut
R10CP	Not Shown	OBYSM	Small Disc Gear Lock Limit Pin	R37-1P	9	OCCHU	Adjustable Disc Lever Pin
R10E	Not Shown	OBYTU	Small Disc Gear Lock Spring	R37-1S	9	OCCHA	Adjustable Disc Lever Adjusting Screw
R10K	Not Shown	OBVYK	Small Disc Gear	R37-2	9	OCICE	Adjustable Disc Lever Link
R10P	Not Shown	OBVYI	Small Disc Gear Pin	R37-2N	Not Shown	OCIDI	Adjustable Disc Lever Link Stud Wing Nut
R10W	Not Shown	OBVYA	Small Disc Gear Washer	R37-2P	9	OCIFO	Adjustable Disc Lever Link Pin
R10 ^{1/2}	3	OBYXA	Disc Gear Sleeve	R37-2PC	Not Shown	OCIGU	Adjustable Disc Lever Link Pin Cotter
R10 ^{1/2} CB	Not Shown	OBYZO	Disc Gear Sleeve Ball	R37-2S	9	OCICR	Adjustable Disc Lever Link Stud
R10 ^{1/2} CA	3	OBZAL	Disc Gear Lock Collar	R37-2SW	Not Shown	OCIJU	Adjustable Disc Lever Link Stud Washer
R10 ^{1/2} CASS	Not Shown	OBZES	Disc Gear Set Screw	R37-3	9	OCIKK	Adjustable Disc Lever Arm
R11	3	OBZIF	Large Disc Gear	R37-3P	Not Shown	OCILD	Adjustable Disc Lever Arm Pin
R11K	Not Shown	OBZOR	Large Disc Gear Key	R37-4	9	OCIMF	Adjustable Disc Lever Bracket
R11WL	Not Shown	OBZUN	Large Disc Gear Lock Washer	R37-4S	Not Shown	OCINT	Adjustable Disc Lever Bracket Screw
R11S	Not Shown	OCABE	Large Disc Gear Screw	R37-4SS	Not Shown	OCIPS	Adjustable Disc Lever Bracket Set Screw
R11W	Not Shown	OCADU	Large Disc Gear Washer	R37-5	Not Shown	OCJST	Adjustable Disc Lever Shaft
R12	6	OCAFI	Crank Shaft	R37-5LW	Not Shown	OCISA	Adjustable Disc Lever Shaft Lock Washer
R12B	5	OCAGL	Crank Shaft Bushing				

*Parts marked with an asterisk indicate special fitting and will be shipped with their mating part or parts.

IMPORTANT—Be sure to mention size of press for which parts are being ordered.

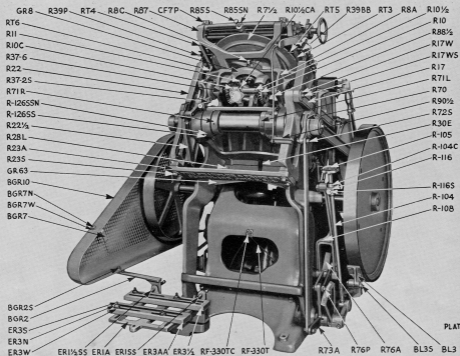


PLATE No 3

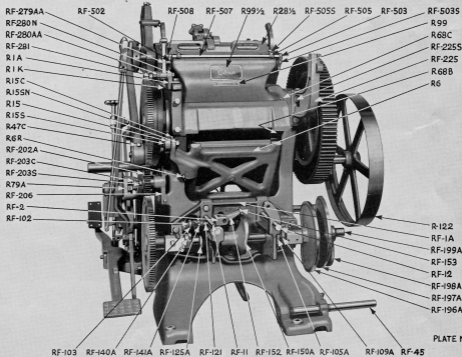


PLATE No 4

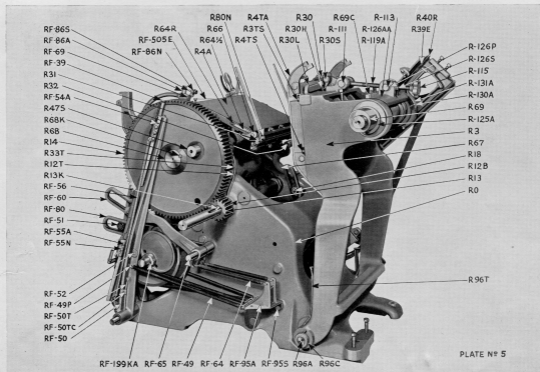


PLATE N° 5

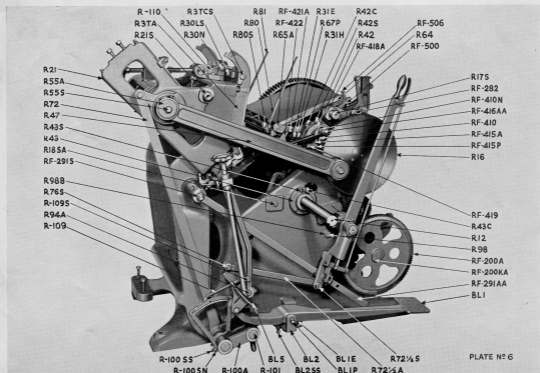


PLATE N° 6

COMPONENT PARTS LIST—Continued

Part Number	Part Shown on Plate No.	Code	Name and Description	Part Number	Part Shown on Plate No.	Code	Name and Description
R37-35	Not Shown	OCITI	Adjustable Disc Lever Shaft Screw	R765N	Not Shown	OCUFI	Throw-Off Outer Arm Screw Nut
R37-6	3	OCIVU	Adjustable Disc Lever Shaft Collar	R78A	8	OCUGS	"Throw-Off Lever"
R37-68S	Not Shown	OCIWO	Adjustable Disc Lever Shaft Collar Set Screw	R78B	8	OCUHL	Throw-Off Lever Bushing
R38	9	OCIXI	"Silent Pawl Roller Cup	R78BA	8	OCUJO	Throw-Off Lever Latch Bushing
R38R	9	OCIIYA	Silent Pawl Roller	R78C	8	OCUIE	Throw-Off Lever Oil Cup
R38W	9	OCIZE	Silent Pawl Retaining Plate	R78CA	8	OCULP	Throw-Off Sliding Bar Gib
R38½	9	OCJAM	"Silent Pawl Roller Carrier	R78GS	Not Shown	OCUMB	Throw-Off Sliding Plate Gib Screw
R38½EA	9	OCJEG	Silent Pawl Plunger Spring	R78GSW	Not Shown	OCUNT	Throw-Off Sliding Plate Gib Screw Washer
R38½K	Not Shown	OCJIT	Silent Pawl Key	R78L	8	OCUPA	Throw-Off Lever Latch
R38½PA	9	OCJRB	Silent Pawl Plunger	R78LC	8	OCURB	Throw-Off Lever Connection
R39	1	OCJUZ	"Ink Roller Double Saddle	R78LP	8	OCUSP	Throw-Off Lever Latch Pin
R39DB	3	OCKAR	Ink Roller Saddle Ball Bearing	R78LPC	Not Shown	OCUTI	Throw-Off Lever Latch Pin Cotter
R39C	Not Shown	OCKEJ	Ink Roller Saddle Rod Cotter	R78P	8	OCUIVE	"Throw-Off Lever Shear Pin
R39E	5	OCKIF	Ink Roller Saddle Spring	R78PS	8	OCUWL	Throw-Off Lever Shear Pin Swivel
R39L	9	OCKOP	Ink Roller Saddle Lifter	R78PSS	8	OCUXI	Throw-Off Lever Shear Pin Swivel Set Screw
R39P	3	OCKUN	Ink Roller Saddle Pin, Right	R78SAA	8	OCUYN	Throw-Off Lever Screw
R39RP	Not Shown	OCKLV	Ink Roller Saddle Rod Pin	R78SN	8	OCUZO	Throw-Off Lever Screw Nut
R39½P	1	OCKLY	Ink Roller Saddle Pin, Left	R78½A	8	OCVAP	Throw-Off Lever Shear Pin Latch Lever
R40R	5	OCLIV	"Ink Roller Saddle Rod	R78½S	8	OCVEM	Throw-Off Lever Shear Pin Latch Lever Pin
R42	6	OCLOP	Rocker Box Cap	R79A	4	OCVID	Throw-Off Lever Bracket
R42C	6	OCLOB	Rocker Box Oil Cup	R79S	Not Shown	OCVOT	Throw-Off Lever Bracket Screw
R42S	6	OCMAT	Rocker Box Screw	R79SS	Not Shown	OCVST	Throw-Off Lever Bracket Set Screw
R43	6	OCMHG	Crank Shaft Box	R79SSN	Not Shown	OCWAN	Throw-Off Lever Bracket Set Screw Nut
R43C	6	OCMIJ	Crank Shaft Box Oil Cup	R79SSN	Not Shown	OCWAN	Throw-Off Lever Bracket Set Screw Nut
R43S	6	OCMOK	Crank Shaft Box Screw	R79SW	Not Shown	OCWET	Throw-Off Lever Bracket Screw Washer
R43W	Not Shown	OCMUB	Crank Shaft Box Washer	R80	6	OCWIP	Gripper, Left
R45	1	OCNAF	"Ink Roller Saddle Stud	R80C	9	OCWOF	Extension Gripper, Left
R45P	Not Shown	OCNEG	Ink Roller Saddle Stud Oil Packing	R80CA	9	OCWUB	Gripper Extension 1" long
R45K	Not Shown	OCNIT	Ink Roller Saddle Stud Guide Key	R80CB	9	OCXAB	Gripper Extension 2" long
R45W	2	OCNOS	Ink Roller Saddle Stud Packing Plate	R80CD	9	OCXEL	Gripper Extension 3" long
R45WP	Not Shown	OCNUM	Ink Roller Saddle Stud Packing Plate Pin	R80CE	9	OCXIP	Gripper Extension 4" long
R47	6	OCOBR	"Side Arm	R80CF	9	OCXOF	Gripper Extension Finger
R47B	Not Shown	OCOCA	Side Arm Bushing	R80N	5	OCXUM	Gripper Nut
R47C	4	OCODI	Side Arm Oil Cup	R80S	6	OCYAB	Gripper Bolt
R47S	5	OCOFE	Side Arm Wrist Pin	R81	6	OCYES	Gripper, Right
R53A	6	OCOGU	Side Arm Washer	R81C	9	OCYFI	Extension Gripper, Right
R53S	6	OCOHL	Side Arm Washer Screw	R81D	10	OCYON	"Hand Feed Table
R61	9	OCOJI	Gripper Wrench	R83S	Not Shown	OCYUC	Hand Feed Table Screw
R62	Not Shown	OCOKU	Rocker Arm	R85L	9	OCZAL	Fountain Side Frame, Left
R62P	Not Shown	OCOLD	Rocker Arm Pin	R85N	9	OCZED	Fountain Side Frame Cap Screw Nut
R63	10	OCOMA	"Roller Stock	R85P	9	OCZIM	Fountain Side Frame, Right
R63B	Not Shown	OCONT	Roller Stock Steel Ball	R85S	3	OCZOP	Fountain Adjusting Screw
R63K	Not Shown	OCORR	Roller Stock Ball Spring	R85SN	3	OCZUJ	Fountain Adjusting Screw Wing Nut
R64	6	OCORP	Tympan Bale Upriser	R85T	9	ODABE	Fountain Thumb Screw
R64L	9	OCOSK	Tympan Bale Lifter	R85½	9	ODACH	"Fountain Ink Roll
R64R	5	OCOTH	Tympan Bale Riser	R85½B	Not Shown	ODADS	Fountain Ink Roll Bushing
R64½	5	OCOVR	Tympan Bale, Lower	R86C	Not Shown	ODAFI	Fountain Side Frame Oil Cup
R65A	6	OCOWL	Platen Ear, Left	R86L	9	ODAGU	Fountain Side Frame Cap, Left
R65P	Not Shown	OCOXE	Platen Ear Pin	R86NP	Not Shown	ODAHL	Fountain Side Frame Cap Screw Pin
R65S	Not Shown	OCOYA	Platen Ear Screw	R86P	Not Shown	ODAJE	Fountain Side Frame Cap Down Pin
R66	5	OCOZU	Platen Ear, Right	R86R	9	ODAKU	Fountain Side Frame Cap, Right
R67	5	OCPAF	"Gripper Cam	R86S	Not Shown	ODALP	Fountain Side Frame Cap Screw
R67P	6	OCPEM	Gripper Cam Pin	R87	3	ODAMF	Fountain Bracket
R67PSS	Not Shown	OCPID	Gripper Cam Pin Set Screw	R87SS	Not Shown	ODANT	Fountain Bracket Screw
R68	5	OCPOX	Main Shaft	R87½	9	ODAPR	Fountain Cover
R68B	4	OCPUF	Main Shaft Bushing	R87½L	Not Shown	ODARB	Fountain Cover Latch
R68BP	Not Shown	OCQAJ	Main Shaft Bushing Pin	R87½R	Not Shown	ODASK	Fountain Cover Rivet
R68C	4	OCQED	Main Shaft Oil Cup	R88	9	ODATA	Fountain Ratchet Lever
R68K	5	OCQIT	Main Shaft Key	R88P	9	ODAVE	Fountain Ratchet Lever Pin
R69	5	OCQOB	Back Shaft	R88½	3	ODAWN	Fountain Ratchet Lever Rod
R69C	5	OCQUA	Back Shaft Oil Cup	R88½E	Not Shown	ODAXU	Fountain Ratchet Lever Rod Spring
R70	3	OCRAN	Throw-Off Saddle	R89	9	ODAYM	Fountain Ratchet
R70K	Not Shown	OCREK	Throw-Off Saddle Key	R89K	Not Shown	ODAZL	Fountain Ratchet Key
R70SS	Not Shown	OCRIL	Throw-Off Saddle Set Screw	R89½	9	ODBAN	Fountain Ink Blade
R71L	3	OCROP	Back Shaft Collar (Left)	R89½S	Not Shown	ODHKR	Fountain Ink Blade Screw
R71R	3	OCRUS	Back Shaft Collar (Right)	R90	9	ODBIT	Fountain Ratchet Pawl
R71SS	Not Shown	OCSAF	Back Shaft Collar Set Screw	R90S	9	ODBOS	Fountain Ratchet Pawl Screw
R72	6	OCSEK	Throw-Off Back Connection	R90½	3	ODBUM	Fountain Driver
R72N	Not Shown	OCSSN	Throw-Off Back Connection Nut	R90½	Not Shown	ODCAN	Fountain Driver Screw
R72S	Not Shown	OCSSL	Throw-Off Back Connection Screw	R90½SC	Not Shown	ODCZH	Fountain Driver Screw Cotter
R72SC	Not Shown	OCSTU	Throw-Off Back Connection Screw Cotter	R91	9	ODCIJ	Fountain Adjusting Block
R72½A	6	OCTAV	Throw-Off Lower Connection	R92	Not Shown	ODCOF	Fountain Cover Knob
R72½B	6	OCTEL	Throw-Off Lower Connection Screw	R92½	9	ODCUT	Fountain Handwheel
R72½SN	Not Shown	OCTIN	Throw-Off Lower Connection Screw Nut	R92½P	Not Shown	ODDAM	Fountain Handwheel Pin
R73A	3	OCOTR	Throw-Off Sinter Piece	R93	9	ODDEZ	Fountain Front Brace
R73S	3	OCTIF	Throw-Off Water Arms	R93S	Not Shown	ODDIB	Fountain Front Brace Screw
R76P	3	OCUBA	Throw-Off Outer Arm Pin	R93½	Not Shown	ODDGL	Fountain Back Separator Rod
R76PC	Not Shown	OCUCH	Throw-Off Outer Arm Pin Cotter	R94	6	ODEBA	Throw-Off Outer Arm Stud
R76S	6	OCUDS	Throw-Off Outer Arm Screw	R94N	Not Shown	ODECI	Throw-Off Outer Arm Stud Nut

*Parts marked with an asterisk indicate special fitting and will be shipped with their mating part or parts.

IMPORTANT—Be sure to mention size of press for which parts are being ordered.

COMPONENT PARTS LIST—Continued

Part Number	Part Shown on Plate No.	Code	Name and Description	Part Number	Part Shown on Plate No.	Code	Name and Description
R94NW	Not Shown	ODEDU	Throw-Off Outer Arm Stud Washer	RF-3A	1	ODMOL	Feeder Drive Gear Guard
R94BS	Not Shown	ODEFT	Throw-Off Outer Arm Stud Set Screw	RF-6	2	ODMUU	Feeder Drive Gear Guard Brace
R95	10	ODEFA	Bed Shaft Bolt	RF-6S	Not Shown	ODNAB	Feeder Drive Gear Guard Brace Screw
R96A	5	ODEHL	Bed Shaft	RF-8	Not Shown	ODNEP	Feed Table Lock Screw Shoe
R96B	Not Shown	ODEJO	Bed Shaft Bushing	RF-9	7	ODNIB	Feed Table Lock Screw
R96C	5	ODEKS	Bed Shaft Collar	RF-9N	7	ODNOF	Feed Table Lock Screw Nut
R96CS	Not Shown	ODELM	Bed Shaft Collar Set Screw	RF-10AA	7	ODNUH	Feed Table Bracket
R96K	Not Shown	ODEMT	Bed Shaft Key	RF-10G	7	ODOBS	Feed Table Bracket Gasket
R96SS	Not Shown	ODENK	Bed Shaft Set Screw	RF-10T	2	ODOCK	Feed Table Pinion Shaft Oil Tube
R96T	5	ODEFS	Bed Shaft Oil Tube	RF-11	4	ODODR	Feed Table Stationery Rail
R96TC	Not Shown	ODERK	Bed Shaft Oil Tube Clamp	RF-12	4	ODOFT	Feed Table Adjustable Rail
R96TCC	Not Shown	ODESL	Bed Shaft Oil Tube Clamp Pin	RF-13	7	ODOGI	Feed Table Moving Screw
R97	9	ODETU	Fountain Front Brace Rod	RF-13W	Not Shown	ODOHT	Feed Table Adjusting Screw Washer
R97S	Not Shown	ODEVL	Fountain Front Brace Rod Screw	RF-15	7	ODOJI	Feed Table Raising Handwheel
R98	6	ODEWP	Rocker Lock Shaft	RF-15P	Not Shown	ODOKA	Feed Table Raising Handwheel Pin
R98B	6	ODEXA	Rocker Lock Shaft Bushing	RF-16	7	ODOLF	Feed Table Release Batcher Stop
R98BS	Not Shown	ODEYI	Rocker Lock Shaft Bushing Set Screw	RF-18A	2	ODOMB	Feed Table Bracket Guard
R99	4	ODEZE	Name Plate	RF-18S	Not Shown	ODONT	Feed Table Bracket Guard Screw
R99P	Not Shown	ODFAQ	Name Plate Pin	RF-19	7	ODOPH	Feed Table Long Back Stop
R99J	Not Shown	ODFEW	Fountain Name Plate	RF-19P	Not Shown	ODORI	Feed Table Long Back Stop Taper Pin
R99J5P	Not Shown	ODFIV	Fountain Name Plate Pin	RF-19S	Not Shown	ODOSM	Feed Table Long Back Stop Screw
R-100A	6	ODFOS	Bed Shaft Adjusting Arm	RF-20A	7	ODOTU	Feed Table Long Back Stop Bracket
R-100BN	6	ODFUR	Bed Shaft Adjusting Arm Set Screw Nut	RF-20S	7	ODOVL	Feed Table Long Back Stop Bracket Clamping Screw
R-100BS	6	ODGAS	Bed Shaft Adjusting Arm Set Screw	RF-21	1	ODOWN	Feed Table Long Back Stop Post
R-101	6	ODGDG	Bed Shaft Adjusting Screw Swivel Pin	RF-21SS	Not Shown	ODOXA	Feed Table Long Back Stop Post Set Screw
R-104	3	ODGIF	Bed Shaft Adjusting Screw	RF-22	7	ODOYT	Feed Table Long Back Stop Limit Pin
R-104C	3	ODGOL	Bed Shaft Adjusting Collar	RF-23	7	ODOZO	Feed Table Long Back Stop Limit Pin Lock Nut
R-104CP	Not Shown	ODGUP	Bed Shaft Adjusting Collar Pin	RF-25A	7	ODPAC	Feed Table Short Back Stop
R-104CSS	Not Shown	ODHAM	Bed Shaft Adjusting Collar Pin Set Screw	RF-26A	7	ODPEW	Feed Table Short Back Stop Clamp Screw
R-105	3	ODHRN	Bed Shaft Adjusting Screw Handwheel	RF-27A	Not Shown	ODPIN	Feed Table Short Back Stop Clamp Screw Nut
R-105P	Not Shown	ODHIP	Bed Shaft Adjusting Screw Handwheel Pin	RF-28A	Not Shown	ODPOB	Feed Table Short Back Stop Clamp Screw Spring
R-106A	Not Shown	ODHOR	Bed Shaft Adjusting Tube	RF-30AA	7	ODPUG	Feed Table Front Stop
R-107	Not Shown	ODHUS	Bed Shaft Adjusting Tube Bushing	RF-30S	2	ODQAF	Feed Table Front Stop Screw
R-107P	Not Shown	ODIBA	Bed Shaft Adjusting Tube Bushing Pin	RF-32A	7	ODQEB	Feed Table Front Stop Blast Tubing
R-108	3	ODICT	Bed Shaft Adjusting Screw Bracket	RF-33A	7	ODQIG	Feed Table Front Stop Blast Nipple
R-108SS	Not Shown	ODIDE	Bed Shaft Adjusting Screw Bracket Set Screw	RF-34A	Not Shown	ODQOH	Feed Table Front Stop Blast Nipple Tube
R-109	6	ODIFR	Bed Shaft Adjusting Scale Pointer	RF-37A	7	ODQUI	Feed Table Front Stop End Blast Connection
R-109S	6	ODIGS	Bed Shaft Adjusting Scale Pointer Screw	RF-38A	7	ODRAT	Feed Table Front Stop End Blast Shut-Off
R-110	6	ODIHT	Bed Shaft Adjusting Screw Swivel Bracket	RF-38K	7	ODREM	Feed Table Front Stop End Blast Shut-Off Spring
R-110P	Not Shown	ODIJA	Bed Shaft Adjusting Screw Swivel Bracket Pin	RF-38W	Not Shown	ODRIK	Feed Table Front Stop End Blast Shut-Off Washer
R-110S	Not Shown	ODIKE	Bed Shaft Adjusting Screw Swivel Bracket Screw	RF-39	5	ODROF	Delivery Air Line Screen
R-111	5	ODILF	Back Shaft Adjusting Screw Swivel Pin	RF-39BA	Not Shown	ODRUP	Delivery Air Line Screen Bushing
R-113	5	ODIMP	Back Shaft Adjusting Screw Lock Screw	RF-39P	Not Shown	ODSAP	Delivery Air Line Screen Plug
R-113P	Not Shown	ODING	Back Shaft Adjusting Screw Lock Screw Shoe	RF-40	2	ODSEB	Delivery Slide Air Tube
R-115	5	ODIPH	Back Shaft Adjusting Screw Knob	RF-40P	Not Shown	ODSIC	Delivery Slide Air Tube Plug
R-115P	Not Shown	ODIRT	Back Shaft Adjusting Screw Knob Pin	RF-41	9	ODSON	Delivery Bar
R-116	3	ODISH	Back Shaft Adjusting Screw Swivel Pin	RF-41S	9	ODRUM	Delivery Bar Screw
R-116N	Not Shown	ODITS	Bed Shaft Adjusting Screw Swivel Nut	RF-43	9	ODTAC	Delivery Bar Sliding Tube
R-116S	3	ODIVA	Bed Shaft Adjusting Screw Swivel Screw	RF-43S	9	ODTED	Delivery Bar Sliding Tube Screw
R-116W	Not Shown	ODIWU	Bed Shaft Adjusting Screw Swivel Washer	RF-45	1	ODTIG	Delivery Slide Shaft
R-119A	5	ODIXE	Back Shaft Adjusting Screw	RF-47	2	ODTOK	Delivery Slide Air Tube Roller Carrier
R-119N	Not Shown	ODIYL	Back Shaft Adjusting Screw Nut	RF-47S	2	ODTUR	Delivery Slide Air Tube Roller Carrier Clamp Screw
R-119W	Not Shown	ODIZY	Back Shaft Adjusting Screw Washer	RF-49	5	ODUBL	Delivery Bar Pull-In Spring
R-122	4	ODJAK	Press Pulley	RF-49S	5	ODUCH	Delivery Bar Pull-In Spring Pin
R-125A	5	ODJEM	Back Shaft Eccentric	RF-49PC	Not Shown	ODUDI	Delivery Bar Pull-In Spring Pin Cotter
R-126AA	5	ODJIX	Back Shaft Eccentric Bracket	RF-50	5	ODUFT	Delivery Slide
R-126P	5	ODJOG	Back Shaft Eccentric Bracket Swivel Pin	RF-50B	Not Shown	ODUGS	Delivery Slide Bushing
R-126S	5	ODJUF	Back Shaft Eccentric Bracket Swivel Pin Set Screw	RF-50P	2	ODUHM	Delivery Slide Bushing Spring Pin
R-126SS	3	ODKAT	Back Shaft Eccentric Set Screw	RF-50T	5	ODUJE	Delivery Slide Oil Tube
R-126SSN	3	ODKER	Back Shaft Eccentric Set Screw Lock Nut	RF-50TC	5	ODUKA	Delivery Slide Oil Tube Clamp
R-126SW	Not Shown	ODKIF	Back Shaft Eccentric Bracket Swivel Pin Set Screw Washer	RF-51	5	ODUMF	Feeder Bail Bearing Cam Roller
R-130A	5	ODEOB	Back Shaft Adjusting Scale Pointer	RF-52	5	ODUNT	Feeder Bail Bearing Cam Roller Pin
R-130S	Not Shown	ODKUC	Back Shaft Adjusting Scale Pointer Screw	RF-53A	2	ODUPO	Delivery Slide Shoe
R-131A	5	ODLAS	Back Shaft Adjusting Scale	RF-53S	2	ODURB	Delivery Slide Shoe Set Screw
R-131P	Not Shown	ODLET	Back Shaft Adjusting Scale Pin	RF-54A	5	ODUSC	Delivery Slide Shoe Gib
RF-1A	4	ODLIC	Feeder Cam Shaft Bracket	RF-55A	5	ODUTE	Delivery Slide Shoe Gib Screw Nut
RF-1C	Not Shown	ODLOB	Feeder Cam Shaft Bracket Oil Cup	RF-55N	5	ODUVR	Delivery Slide Shoe Gib Screw Nut
RF-1S	Not Shown	ODLUN	Feeder Cam Shaft Bracket Screw	RF-56	5	ODUWE	Delivery Bar Pull Down Spring
RF-2	4	ODMAG	Feed Table Elevator Shaft Bracket	RF-57A	2	ODUXI	Delivery Slide Hone Nipple
RF-2S	Not Shown	ODMEX	Feed Table Elevator Shaft Bracket Screw				
RF-3	Not Shown	ODMIN	Feed Table Elevator Cam Lever Spring Pin				

*Parts marked with an asterisk indicate special fitting and will be shipped with their mating part or parts.

IMPORTANT—Be sure to mention size of press for which parts are being ordered.

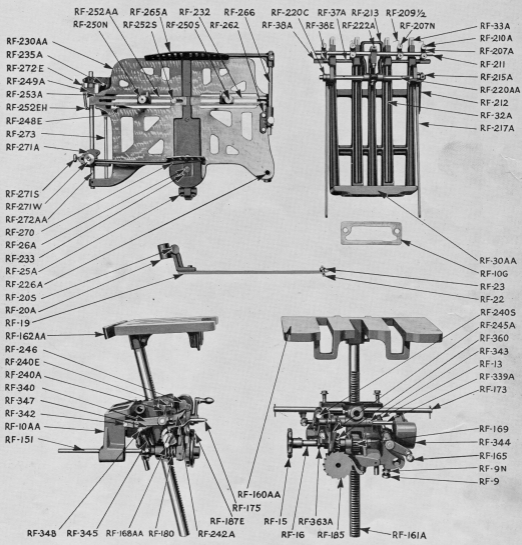


PLATE N° 7

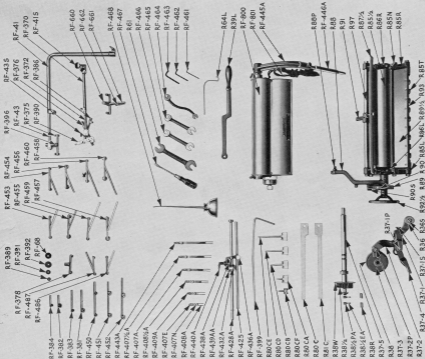


PLATE NE 9

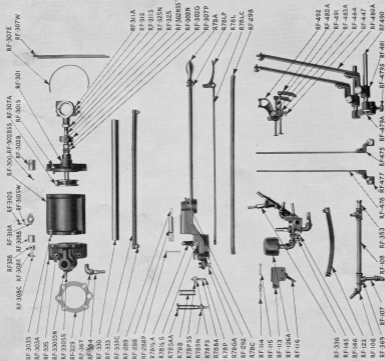


PLATE NE 8

COMPONENT PARTS LIST—Continued

Part Shown on Plate No.			Name and Description	Part Shown on Plate No.			Name and Description
Part Number	Code			Part Number	Code		
RF-578	2	ODUYA	Delivery Slide Hose Nipple Clamp Screw	RF-141A	4	OFERM	*Blast Valve Cam Lever
RF-58	2	ODUZO	Delivery Slide Air Hose	RF-144A	1	OFESY	Blast Valve Plunger
RF-60	5	ODVAP	Delivery Slide Air Tube Lift Lever	RF-144E	1	OFETH	Blast Valve Plunger Spring
RF-64	5	ODVVC	Delivery Slide Air Tube Lift Lever Spring	OFEVA-144EH	1	OFEVA	Blast Valve Plunger Spring Connection
RF-65	5	ODVIM	Delivery Slide Air Tube Lift Lever Stud	RF-145	8	OFEWT	Continuous Blast Screw
RF-68	9	ODVOH	Feed Bar Large Rubber Sucker Tip	RF-146	8	OFEXE	Continuous Blast Screw Lock Nut
RF-69	5	ODVUV	*Feed Air Line Screen	RF-147	1	OFEYR	Blast Valve Plunger Spring Stud
RF-69B	Not Shown	ODWAX	*Feed Air Line Screen Bushing	RF-147CP	Not Shown	OFEZO	Blast Valve Plunger Spring Stud Cotter
RF-70	2	ODWEE	Delivery Slide Air Tube	RF-147W	Not Shown	OFAB	Blast Valve Plunger Spring Stud Washer
RF-70P	Not Shown	ODWIV	*Feed Slide Air Tube Plug	RF-150A	4	OFPEC	Feed Table Elevator Cam
RF-70S	Not Shown	ODWOY	*Feed Slide Air Tube Plug Screw	RF-150SB	Not Shown	OFED	Feed Table Elevator Cam Set Screw
RF-71	1	ODWUF	Feed Slide Air Hose	RF-151	7	OFOFJ	Feed Table Elevator Shaft
RF-72	1	ODXAR	Feed Slide Air Tube Roller Carrier	RF-152	4	OFFUT	*Feed Table Elevator Shaft Cam Lever
RF-72CP	Not Shown	ODXEY	Feed Slide Air Tube Roller Carrier	RF-152E	Not Shown	OFGAX	*Feed Table Elevator Shaft Cam Lever Spring
RF-72S	1	ODXIT	Feed Slide Air Tube Roller Carrier Clamp Screw	RF-152H	Not Shown	OFGEH	Feed Table Elevator Shaft Cam Lever Spring Pin
RF-74	1	ODXON	Feed Slide Air Tube Pull Down Spring	RF-152K	Not Shown	OPGIN	Feed Table Elevator Shaft Cam Lever Key
RF-75	1	ODXUP	*Feed Slide	RF-152P	Not Shown	OPFGO	Feed Table Elevator Shaft Cam Lever Roller Pin
RF-75T	1	ODYAB	*Feed Slide Oil Tube	RF-153	4	OPGUB	Feed Table Elevator Shaft Cam Lever Roller
RF-78	1	ODYEC	*Feed Slide Shoe	RF-160AA	7	OFHAT	Feed Table
RF-78SS	1	ODYID	Feed Slide Shoe Set Screw	RF-161A	7	OFHRH	Feed Table Rack
RF-79	5	ODYOP	Feed Slide Air Tube Bracket	RF-161K	Not Shown	OFHIS	Feed Table Rack Key
RF-84	1	ODYUG	Feed Slide Hose Nipple	RF-161W	2	OFHOP	Feed Table Bumper Washer
RF-84S	1	ODZAH	Feed Slide Hose Nipple Clamp Screw	RF-162AA	7	OFHUG	Feed Table Front Bar
RF-86A	5	ODZBJ	*Feed Bar Air Tube Connection	RF-162P	Not Shown	OFHBR	Feed Table Front Bar Taper Pin
RF-86N	5	ODZIK	Feed Bar Limit Screw	RF-162S	Not Shown	OFCLC	Feed Table Front Bar Screw
RF-86S	5	ODZOL	Feed Bar Limit Screw	RF-165	7	OFIDG	Feed Table Adjusting Screw Crank
RF-87	Not Shown	ODZUM	*Feed Bar Air Tube Connection Plug	RF-165SS	Not Shown	OFIFE	Feed Table Adjusting Screw Set Screw
RF-95A	5	OFABS	Feed and Delivery Slide Spring Bracket	RF-168AA	7	OFIGA	Feed Table Pinion Shaft
RF-95S	5	OFACT	Feed and Delivery Slide Spring Bracket Screw	RF-169	7	OFIHM	*Feed Table Pinion
RF-100	2	OFADA	Delivery Air Valve Bracket	RF-169K	Not Shown	OFIKE	Feed Table Pinion Key
RF-100S	Not Shown	OFAPR	Delivery Air Valve Bracket Screw	RF-170A	1	OFILS	Feed Table Guide Finger Bracket, Right
RF-101	2	OFAGL	*Delivery Air Valve Cam Lever	RF-170S	1	OFIMT	Feed Table Guide Finger Bracket Screw
RF-101W	Not Shown	OFAHN	Delivery Air Valve Cam Lever Spacing Washer	RF-171A	1	OFING	*Feed Table Guide Finger Bracket, Left
RF-102	4	OFAJU	Delivery Air Valve Cam Roller Pin	RF-172	1	OFIPU	*Feed Table Guide Finger
RF-103	4	OFAKL	Delivery Air Valve Cam Roller	RF-172S	1	OFIRE	Feed Table Guide Finger Screw
RF-104	Not Shown	OFALT	Delivery Air Valve Cam Lever Shaft	RF-173	7	OFISH	Feed Table Guide Finger Shaft
RF-105A	4	OFAMB	Delivery Air Valve Cam	RF-173CP	Not Shown	OFITS	Feed Table Guide Finger Shaft Cotter
RF-105SS	Not Shown	OFAND	Delivery Air Valve Cam Set Screw	RF-173SS	Not Shown	OFIVU	Feed Table Guide Finger Shaft Set Screw
RF-106	8	OFARF	Delivery Air Valve Bracket Pipe Elbow	RF-175	7	OFIWO	*Feed Table Release Handle
RF-107	8	OFARQ	Delivery Air Valve Bracket Pipe Short Nipple	RF-176	1	OFIXU	Feed Table Release Handle Pin
RF-108	8	OFAST	Delivery Air Valve Bracket Pipe Long Nipple	RF-177	1	OFIYA	Feed Table Release Handle Swivel Pin
RF-109A	4	OFATU	Delivery Cutout Valve Cam	RF-180	7	OFIZL	Feed Table Worm
RF-110	2	OFAYV	*Delivery Cutout Valve Cam Lever	RF-180K	Not Shown	OFJAZ	Feed Table Worm Key
RF-113	8	OFAWL	*Delivery Cutout Valve	RF-182	Not Shown	OFJER	Feed Table Ratchet Wheel Sleeve
RF-113P	Not Shown	OFAXO	Delivery Cutout Valve Cotter	RF-183	7	OFJIG	Feed Table Ratchet Wheel
RF-113S	Not Shown	OFAYE	Delivery Cutout Valve Screw	RF-183K	Not Shown	OFJOB	Feed Table Ratchet Wheel Key
RF-114	8	OFAZL	Delivery Cutout Valve Plunger	RF-187	2	OFJUF	Feed Table Ratchet Pawl
RF-115	8	OFBAN	Delivery Cutout Valve Plunger Spring	RF-187P	2	OFKAN	Feed Table Ratchet Pawl Pin
RF-1151	2	OFBEG	Delivery Air Valve	RF-187E	7	OFKEB	Feed Table Ratchet Pawl Spring
RF-1151C	Not Shown	OFBIP	*Delivery Air Valve Cotter	RF-187ES	Not Shown	OFKIP	Feed Table Ratchet Pawl Spring Screw
RF-116	8	OFBOX	Delivery Cutout Valve Hose Nipple	RF-188A	1	OFKOF	*Feed Table Ratchet Pawl Spring
RF-117	2	OFBUR	Delivery Cutout Valve Air Hose	RF-188S	Not Shown	OFKUD	Feed Table Ratchet Pawl Spring Washer
RF-119	Not Shown	OF CAB	Blast Muffler Nipple	RF-189	2	OFLEX	Feed Table Ratchet Latch Stud
RF-120A	1	OFCEB	Feed and Blast Valve Bracket	RF-189CP	Not Shown	OFOLZ	Feed Table Ratchet Latch Pin Cotter
RF-120S	Not Shown	OFCIF	Feed and Blast Valve Bracket Screw	RF-189W	Not Shown	OFLOY	Feed Table Ratchet Latch Pin Cotter Washer
RF-121	4	OFCOG	Feed Air Valve Cam Lever	RF-190A	2	OFLUW	Feed Table Ratchet Pawl Latch
RF-121S	Not Shown	OFCKU	Feed Air Valve Cam Lever Screw	RF-195A	2	OFMAD	Feed Slide Air Tube Raising Cam
RF-121SSN	Not Shown	OFDAW	Feed Air Valve Cam Lever Screw Lock Nut	RF-196A	4	OFMEN	Feed Slide Pushout Cam
RF-122	8	OFDEY	Feed Table Blast Hose	RF-197A	4	OFMIS	Delivery Slide Air Tube Raising Cam
RF-122C	8	OFDIJ	Feed Table Blast Hose Clamp	RF-198A	4	OFMOT	Delivery Slide Pushout Cam
RF-124	Not Shown	OFDON	Feed Air Valve Cam Lever Shaft	RF-199A	4	OFMLK	*Feeder Cam Shaft
RF-125A	4	OFDUL	Feed-Air Valve Cam	RF-199KA	5	OFNAG	Feeder Cam Shaft Key
RF-126A	8	OFEBY	*Blast Muffler	RF-200A	6	OFNET	Feeder Drive Gear
RF-127A	1	OFECT	*Blast Muffler Plate	RF-200KA	6	OFNIC	Feeder Drive Gear Key
RF-130	1	OFEDA	Feed Starting Lever Bracket	RF-202A	4	OFNOB	*Feeder Drive Intermediate Gear
RF-133	1	OFEFI	*Feed Starting Lever	RF-203A	Not Shown	OFNUM	Feeder Drive Intermediate Gear Shaft
RF-134	1	OFEGL	Feed Starting Lever Latch Pin	RF-203C	4	OFOPA	Feeder Drive Intermediate Gear Shaft Oil Cup
RF-134CP	Not Shown	OFEHR	Feed Starting Lever Latch Pin Cotter	RF-203S	4	OFOCE	Feeder Drive Intermediate Gear Shaft Screw
RF-134W	Not Shown	OFEYJ	Feed Starting Lever Latch Pin Washer	RF-205A	Not Shown	OFODI	Feeder Drive Intermediate Gear Bushing
RF-136	1	OFEXU	*Feed Starting Lever Latch	RF-206	4	OFOGU	Feeder Drive Intermediate Gear Bracket
RF-137	1	OFELN	Blast Valve Connection	RF-207A	7	OFOHA	*Feed Table Stripper Wire Bracket
RF-138	1	OFEMA	Blast Adjusting Screw	RF-207N	7	OFOJY	Feed Table Stripper Wire Bracket Lock Nut
RF-139	1	OFENS	Blast Adjusting Screw Nut				
RF-140A	4	OFEPU	Blast Valve Cam				

*Parts marked with an asterisk indicate special fitting and will be shipped with their mating part or parts.

IMPORTANT—Be sure to mention size of press for which parts are being ordered.

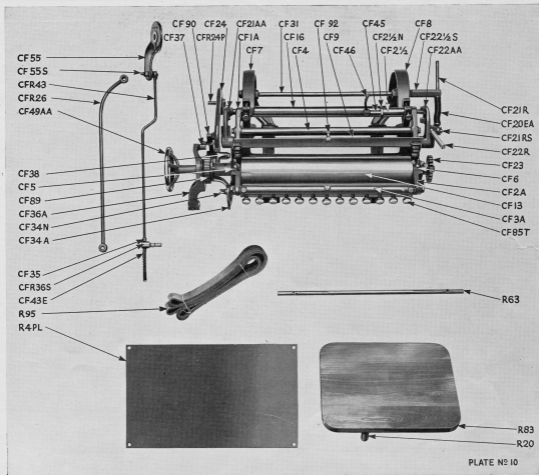
COMPONENT PARTS LIST—Continued

Part Number	Part Shown on Plate No.	Code	Name and Description	Part Number	Part Shown on Plate No.	Code	Name and Description
RF-2078	Not Shown	OFOKI	Feed Table Stripper Wire Bracket Screw	RF-271A	7	OFZFI	Delivery Table Rear Jogger Post
RF-2091½	7	OFOLK	Feed Table Stripper Wire	RF-271P	Not Shown	OFZOR	Delivery Table Rear Jogger Stop Pin
RF-210A	7	OFOMT	Feed Table Stripper Wire Clamp Screw	RF-271S	7	OFZUN	Delivery Table Rear Jogger Post Washer
RF-210W	Not Shown	OFOFY	Feed Table Stripper Wire Clamp Screw Washer	RF-271WS	Not Shown	OGACI	Delivery Table Rear Jogger Post Washer Screw
RF-211	7	OFOFR	Feed Table Stripper Wire Bracket Shaft	RF-272AA	7	OGADO	Delivery Table Rear Jogger Operating Shaft
RF-211CP	Not Shown	OFORK	Feed Table Stripper Wire Bracket Shaft Spring Cotter	RF-272E	7	OGAFU	Delivery Table Rear Jogger Operating Shaft Spring
RF-212	7	OFOSQ	Feed Table Feeler Spring	RF-272ES	Not Shown	OGAGY	Delivery Table Rear Jogger Operating Shaft Spring Screw
RF-213A	7	OFOTA	Feed Table Feeler	RF-273	7	OGAHR	Delivery Table Rear Jogger Guide Rod
RF-213BS	Not Shown	OFOVI	Feed Table Feeler Set Screw	RF-273SS	Not Shown	OGAJA	Delivery Table Rear Jogger Guide Rod Set Screw
RF-215A	7	OFOVP	Feed Table Feeler Shaft Stop Collar	RF-279AA	4	OGAKR	Delivery Table Jogger Cam Lever
RF-215SS	Not Shown	OFOXK	Feed Table Feeler Shaft Stop Collar Set Screw	RF-280AA	4	OGALP	Delivery Table Jogger Cam Lever Screw
RF-217A	7	OFOYD	*Feed Table Feeler Lift Rod	RF-280N	4	OGAMB	Delivery Table Jogger Cam Lever Screw Nut
RF-217P	Not Shown	OFOZE	Feed Table Feeler Lift Rod Spring Pin	RF-281	4	OGANT	Delivery Table Jogger Cam Lever Roller
RF-218A	Not Shown	OFPAD	*Feed Table Feeler Lift Rod End	RF-282	6	OGAPL	Delivery Table Jogger Cam Lever Roller Pin
RF-220AA	7	OFPFB	Feed Table Feeler Shaft	RF-288	8	OGARD	Throw-Off Plunger
RF-220C	7	OFPFI	Feed Table Feeler Shaft Collar	RF-288P	8	OGAST	Throw-Off Plunger Pin
RF-220CS	Not Shown	OFPFQ	Feed Table Feeler Shaft Collar Set Screw	RF-289	8	OGATH	Throw-Off Plunger Spring
RF-222A	7	OFPUZ	Feed Table Feeler Trip	RF-291AA	6	OGAVR	Throw-Off Sliding Bar
RF-222AS	Not Shown	OFRAT	Feed Table Feeler Trip Screw	RF-291B	Not Shown	OGAWK	Throw-Off Sliding Bar Bushing
RF-222SS	Not Shown	OFRBK	Feed Table Feeler Trip Set Screw	RF-291S	6	OGAXO	Throw-Off Sliding Bar Stud
RF-222SSN	Not Shown	OFRIB	Feed Table Feeler Trip Set Screw Nut	RF-292	8	OGAYF	Throw-Off Sliding Bar Guide
RF-225	4	OFRQD	Delivery Table Bracket	RF-293	Not Shown	OGAZU	Throw-Off Sliding Bar Guide Pin
RF-225S	4	OFRUD	Delivery Table Bracket Screw	RF-298	8	OGBAC	Throw-Off Rubber Hose
RF-230A	7	OFSAD	Delivery Table Post	RF-300	8	OGBED	Pump Cylinder
RF-230AA	7	OFSKZ	*Delivery Table	RF-301	8	OGBIF	*Pump Top
RF-230BS	2	OFSIK	Delivery Table Set Screw	RF-301S	8	OGBOG	Pump Top Screw
RF-232	7	OFSON	Delivery Table Jogger Plate, Right	RF-302B	8	OGBUH	Pump Top Bushing
RF-233	7	OFSUR	Feed Table Short Back Stop Plate	RF-302BSS	8	OGCAJ	Pump Top Bushing Set Screw
RF-235A	7	OFTAC	Delivery Table Locking Pin	RF-302G	8	OGCEK	Pump Top Gland
RF-235CP	Not Shown	OFTFB	Delivery Table Locking Pin Cotter	RF-302N	8	OGCIL	Pump Top Gland Nut
RF-235E	1	OFTPI	Delivery Table Locking Pin Spring	RF-302NSB	8	OGCOM	Pump Gland Nut Set Screw
RF-235W	Not Shown	OFTOD	Delivery Table Locking Pin Washer	RF-303A	8	OGCUN	*Pump Base
RF-236	1	OFTUF	Feed Starting Lever Screw	RF-303B	8	OGDAP	Pump Base Screw
RF-236N	Not Shown	OFLUBA	Feed Starting Lever Screw Nut	RF-307A	8	OGDEQ	*Pump Piston
RF-240A	7	OFLUCE	Feed Table Elevator Adjusting Screw Bracket	RF-307E	8	OGDIR	Pump Piston Expanding Spring
RF-240R	7	OFLUDI	Feed Table Elevator Adjusting Screw Spring	RF-307P	8	OGDOR	Pump Piston Rod Packing
RF-240S	7	OFLUFT	Feed Table Elevator Adjusting Screw	RF-307W	8	OGDUT	Pump Piston Leather Ring
RF-240SS	Not Shown	OFLUGO	Feed Table Elevator Adjusting Screw Bracket Set Screw	RF-308	8	OGRHI	*Pump Valve
RF-242A	7	OFLUHL	Feed Table Elevator Trip Trigger	RF-308B	8	OGCKE	Pump Valve Cage
RF-243	1	OFLUJA	*Feed Table Elevator Trip Return Lever	RF-308C	8	OGEDU	Pump Valve Cap
RF-243P	Not Shown	OFLUKR	Feed Table Elevator Trip Return Lever Pin	RF-308E	8	OGFTF	Pump Valve Spring
RF-243SS	Not Shown	OFLUM	Feed Table Elevator Trip Return Lever Set Screw	RF-310A	8	OGEGL	Pump Valve Flanged Washer
RF-245A	7	OFLUMS	Feed Table Elevator Trip Bracket	RF-310S	8	OGEHD	Pump Valve Flanged Washer Screw
RF-245P	Not Shown	OFLUNK	Feed Table Elevator Trip Bracket Pin	RF-316SW	8	OGEJE	Pump Valve Screw Washer
RF-246	7	OFLUPE	Feed Table Elevator Trip	RF-311A	8	OGEGA	*Pump Crank Shaft Bearing Top
RF-246P	Not Shown	OFLURK	Feed Table Elevator Trip Pin	RF-311S	8	OGELB	*Pump Crank Shaft Bearing Top Screw
RF-246W	Not Shown	OFLUSL	Feed Table Elevator Trip Pin Washer	RF-312	8	OGEMS	*Pump Crank Shaft Bearing Bottom
RF-248E	7	OFLUTE	Delivery Table Side Jogger Plate Spring	RF-325	8	OGENF	Pump Piston Rod
RF-249A	7	OFLUVR	Delivery Table Side Jogger Cam	RF-325N	8	OGEPY	Pump Piston Rod Lock Nut
RF-249SS	1	OFLUWA	Delivery Table Side Jogger Cam Set Screw	RF-329	8	OGERF	Pump Gasket
RF-250	1	OFLUXY	Delivery Table Side Jogger Nut	RF-330	8	OGESK	Pump Shaft
RF-250N	7	OFLUYI	Delivery Table Side Jogger Nut	RF-330SS	8	OGETY	Pump Shaft Set Screw
RF-250S	7	OFLUZA	Delivery Table Side Jogger Screw	RF-330SSN	8	OGEOV	Pump Shaft Set Screw Nut
RF-252AA	7	OFLVAB	*Delivery Table Jogger Plate, Left	RF-330T	3	OGEXT	Pump Shaft Oil Tube
RF-252EH	7	OFLVEN	Delivery Table Jogger Plate Spring Pin	RF-330TC	3	OGKWP	Pump Shaft Oil Tube Clamp
RF-252E	7	OFLVIQ	Delivery Table Jogger Plate Screw	RF-333	8	OGEYU	Pump Blast Hose
RF-253A	7	OFLVDS	Delivery Table Jogger Plate Gih	RF-333C	8	OGKZI	Pump Blast Hose Clamp
RF-253S	Not Shown	OFLVDS	Delivery Table Jogger Plate Gih Screw	RF-334	8	OGFAP	Pump Blast Hose Nipple
RF-253A	Not Shown	OFLWAH	Delivery Table Side Jogger Cam Roll	RF-335	8	OGFEW	Pump Vacuum Hose Nipple
RF-253A	Not Shown	OFLWFE	Delivery Table Side Jogger Cam Roll Pin	RF-336	8	OGFIV	Throw-Off Hose Nipple
RF-262	7	OFLWIP	Delivery Table Front Jogger Rod Bracket	RF-337	2	OGFOY	Feed Air Line "Y" Fitting
RF-262S	Not Shown	OFLWOM	Delivery Table Front Jogger Rod Bracket Screw	RF-339A	7	OGFUM	Feed Table Feeler Lift Lever Shaft
RF-265A	7	OFLWUK	Delivery Table Front Jogger	RF-340	7	OGGAB	Feed Table Feeler Lift Lever
RF-265S	1	OFLVAL	Delivery Table Front Jogger Adjusting Screw	RF-342	7	OGGEC	Feed Table Feeler Lift Lever Pin
RF-265SS	1	OFLVEG	Delivery Table Front Jogger Set Screw	RF-343	7	OGGID	Feed Table Feeler Lift Shaft Collar
RF-266	7	OFLVIN	Delivery Table Front Jogger Rod	RF-343SS	Not Shown	OGGOF	Feed Table Feeler Lift Lever Set Screw
RF-266P	Not Shown	OFLVOD	Delivery Table Front Jogger Rod Pin	RF-344	7	OGGUH	Feed Table Feeler Counter Weight
RF-268	Not Shown	OFLVJI	Delivery Table Rear Jogger Ball	RF-345	7	OGHAL	Feed Table Feeler Lift Cam
RF-269	Not Shown	OFLVAN	Delivery Table Rear Jogger Ball Spring	RF-345SS	Not Shown	OGHGM	Feed Table Feeler Lift Cam Set Screw
RF-270	7	OFLVES	Delivery Table Rear Jogger	RF-347	Not Shown	OGHOP	Feed Table Feeler Lift Cam Lever Pin
				RF-347SS	Not Shown	OGHUQ	Feed Table Feeler Lift Cam Lever Pin Screw
				RF-348	7	OGIBU	Feed Table Feeler Lift Cam Lever Roller

*Parts marked with an asterisk indicate special fitting and will be shipped with their mating part or parts.

IMPORTANT—Be sure to mention size of press for which parts are being ordered.

COMPONENT PARTS LIST—Continued



Part Number	Part Shown on Plate No.	Code	Name and Description	Part Number	Part Shown on Plate No.	Code	Name and Description
RF-350A	2	OGICO	Feed Cam Shaft Brace Connection	RF-378	9	OGJEX	Feed Bar Rubber Sucker Tip Head
RF-350BS	Not Shown	OGIDE	Feed Cam Shaft Connection Set Screw	RF-381	9	OGJYJ	Feed Bar Metal Sucker Tip (Long)
RF-351A	2	OGIFA	Feed Cam Shaft Brace	RF-382	9	OGJOE	Feed Bar Metal Sucker Tip (Short)
RF-351S	2	OGIGS	Feed Cam Shaft Brace Screw	RF-383	9	OGJUR	Feed Bar Rubber Sucker Tip Holder (Long)
RF-353	8	OGIHK	Delivery Vacuum Pipe Connection Support	RF-384	9	OGKAS	Feed Bar Rubber Sucker Tip Holder (Short)
RF-360	7	OGIKU	Feed Table Worm Gear	RF-386	9	OGKET	Feed Bar Cross Head Plug
RF-361	Not Shown	OGILF	Feed Table Fixed Release Ratchet	RF-389	9	OGKIV	Feed Bar Small Rubber Tip
RF-362	Not Shown	OGIMB	Feed Table Worm Gear Sleeve	RF-390	9	OGKOP	Feed Bar Dummy Sucker
RF-363A	7	OGING	Feed Table Sliding Release Ratchet	RF-391	9	OGKUQ	Rubber Sucker Tip Emery Face (Small)
RF-364	Not Shown	OGIPS	Feed Table Sliding Release Ratchet Key	RF-392	9	OGLAN	Rubber Sucker Tip Emery Face (Large)
RF-365	Not Shown	OGIRB	Feed Table Sliding Release Ratchet Spring	RF-396	9	OGLEM	Delivery Bar Sucker Tip Head
RF-366	2	OGISM	Feed Table Sliding Release Ratchet Spring Collar	RF-399	9	OGLLI	Feed Table Setting Gauge
RF-360S	Not Shown	OGITA	Feed Table Sliding Release Ratchet Spring Set Screw	RF-407A	9	OGLOK	*Register Gauge Finger (4 1/8" long)
RF-367	8	OGIVU	*Feed Air Line Pipe Street Ell	RF-407E	9	OGLUJ	*Register Gauge Finger Spring
RF-369	8	OGIWA	*Feed Air Line Pipe Tee	RF-407N	9	OGMAH	Register Gauge Finger Spring Nut
RF-370	9	OGIXL	*Feed Bar Clamp Tube	RF-407S	Not Shown	OGMEG	Register Gauge Finger Spring Stud
RF-372	9	OGIYA	*Feed Bar Sliding Tube	RF-407 1/2 A	9	OGMIF	*Register Gauge Finger (5 1/8" long)
RF-375	9	OGIZO	Feed Bar Sucker Tip Holder Clamp Screw	RF-408A	9	OGMOD	*Register Gauge Finger (2 1/4" long)
RF-376	9	OGJAW	Feed Bar Cross Head	RF-408 1/2 A	9	OGMUC	*Register Gauge Finger (4" long)
				RF-409A	9	OGNAB	*Register Gauge Finger (3 1/8" long)
				RF-410	6	OGNEW	*Register Operating Spool
				RF-410N	6	OGNIV	Register Operating Spool Adjusting Nut

*Parts marked with an asterisk indicate special fitting and will be shipped with their mating part or parts.

IMPORTANT—Be sure to mention size of press for which parts are being ordered.

COMPONENT PARTS LIST—Continued

Part Number	Part Shown on Plate No.	Code	Name and Description	Part Number	Part Shown on Plate No.	Code	Name and Description
RF-411	Not Shown	OGNOT	Register Operating Spool Stud	RF-482A	8	OGUYT	*Two-Up Feed Table Auxiliary Short Back Stop (Special)
RF-415A	6	OGNUS	*Register Operating Spool Cam	RF-483A	8	OGUZL	Two-Up Feed Table Auxiliary Short Back Stop Shaft (Special)
RF-415P	6	OGOBA	Register Operating Spool Cam Pin	RF-484	8	OGVAL	Two-Up Feed Table Auxiliary Short Back Stop Bracket (Special)
RF-416AA	6	OGOCH	Register Operating Spool Cam Stud	RF-485	Not Shown	OGVED	Two-Up Feed Table Auxiliary Feeder (Special)
RF-416N	Not Shown	OGODY	Register Operating Spool Adjusting Lock Nut	RF-486	9	OGVIP	*Feed Bar Double Rubber Sucker Tip, L. H. (Special)
RF-418A	6	OGOFE	*Register Operating Connecting Link Spring	RF-487	9	OGVOF	*Feed Bar Double Rubber Sucker Tip, R. H. (Special)
RF-419	6	OGOGI	Register Operating Connecting Link	RF-490	8	OGVUC	Two-Up Feed Table Auxiliary Long Back Stop Finger Shaft (Special)
RF-421A	6	OGOHC	Register Operating Arm Pin	RF-491	8	OGWAN	Two-Up Feed Table Auxiliary Short Back Stop Adjustable Shaft (Special)
RF-422	6	OGOKS	*Register Operating Arm	RF-491S	Not Shown	OGWET	Two-Up Feed Table Auxiliary Short Back Stop Adjustable Shaft Screw (Special)
RF-422SS	Not Shown	OGOLK	Register Operating Arm Set Screw	RF-492	8	OGWIL	*Two-Up Short Back Stop Shaft Bracket (Special)
RF-425	9	OGOMP	Register Bracket Guide Shaft	RF-500	6	OGWOH	Hold Down Operating Lever
RF-428A	9	OGONC	Register Bracket Operating Shaft	RF-500SS	Not Shown	OGWUZ	Hold Down Operating Lever Set Screw
RF-428CF	Not Shown	OGOPU	Register Bracket Operating Shaft Cotter	RF-502	4	OGYAK	Hold Down Bracket, Left
RF-428W	Not Shown	OGORT	Register Bracket Operating Shaft Washer	RF-503	4	OGYES	Hold Down Bracket, Right
RF-429	Not Shown	OGOSL	Register Bracket Operating Shaft Collar	RF-505	4	OGYIK	Hold Down Bracket Screw
RF-429SS	Not Shown	OGOTZ	Register Bracket Operating Shaft Collar Set Screw	RF-505E	5	OGYOT	Hold Down Wire Bracket
RF-432A	9	OGOVF	*Register Bracket Operating Shaft Bevel Gear	RF-505S	4	OGZAP	Hold Down Wire Bracket Clamp Screw
RF-432K	Not Shown	OGOWJ	Register Bracket Operating Shaft Bevel Gear Key	RF-506	6	OGZEN	Hold Down Wire Bracket Washer
RF-436A	9	OGOXE	Register Bracket Lock Screw	RF-506S	Not Shown	OGZIF	Hold Down Wire Bracket Washer Screw
RF-436E	Not Shown	GOYVB	Register Bracket Lock Screw Spring	RF-507	4	OGZOR	Hold Down Shaft
RF-437AA	Not Shown	OGQZA	Register Bracket Post	RF-507W	Not Shown	OGZUL	Hold Down Shaft Washer
RF-437SS	Not Shown	OGPAR	*Register Bracket Post Set Screw	RF-508	4	OHABE	Hold Down Spring
RF-438A	9	OGPKS	Register Bracket Post Bevel Gear	RF-660	9	OHACL	*Delivery Head for Folders (Special)
RF-439AA	9	OGPIT	Register Bracket	RF-661	9	OHADI	Delivery Head Pick-Up Finger Plunger (Special)
RF-440A	9	OGPOV	*Register Bracket Finger Holder	RF-662	9	OHAFI	Delivery Head Pick-Up Finger (Special)
RF-440N	Not Shown	OGPUZ	Register Bracket Finger Screw Nut	RF-800	9	OHAGU	*Electric Heater (Special)
RF-440S	Not Shown	OGRAY	Register Bracket Finger Screw	OHAEJ	9	OHAEK	Electric Heater Cord (Special)
RF-443A	9	OGREX	*Register Finger (6 1/2" long)	RF-810	1	OHAKI	Impression Counter
RF-444	Not Shown	OGRIW	Electric Heater Cross Bar (Special)	RT3	3	OHALF	Bed Extension Track, Left
RF-445A	9	OGROK	Electric Heater Bracket (Special)	RT3S	Not Shown	OHAMP	Bed Extension Track Screw
RF-446A	9	OGRUJ	Electric Heater Post (Special)	RT4	3	OHANT	Bed Extension Track, Right
RF-447	8	OGSAH	Electric Heater Clamp Screw	RT5	3	OHAPS	Bed Extension Track Pin
RF-450	9	OGSEG	Delivery Bar Double Rubber Sucker Tip Holder	RT6	3	OHAGU	Bed Extension Track Adjusting Screw
RF-451	9	OGSFI	Delivery Bar Double Metal Sucker Tip	RT6N	Not Shown	OHARD	Bed Extension Track Adjusting Screw Nut
RF-452	9	OGSOD	*Delivery Bar Double Metal Sucker Tip, R. H. (Long)	RT6W	Not Shown	OHASK	Bed Extension Track Adjusting Screw Washer
RF-453	9	OGSUC	Feed Bar Double Rubber Sucker Tip Holder, L. H.	RX99	Not Shown	OHATY	Fountain Roll Shaft
RF-454	9	OGTAB	Feed Bar Double Rubber Sucker Tip Holder, R. H.	TR27	1	OHAVL	*Trip Truck Sliding Sleeve
RF-455	9	OGTEM	Feed Bar Double Metal Sucker Tip, L. H.	TR27E	Not Shown	OHAWR	Trip Truck Spring
RF-456	9	OGTIN	Feed Bar Double Metal Sucker Tip, R. H.	TR27P	Not Shown	OHAXA	Trip Truck Pin
RF-457	9	OGTOP	Feed Bar Double Metal Sucker Tip, L. H. (Long)	TR27 1/2	Not Shown	OHAYB	Trip Truck Roller
RF-458	9	OGTUQ	Feed Bar Double Metal Sucker Tip, R. H. (Long)	XD1C	Not Shown	OHAZE	Vibrator Box Stud Cotter
RF-459	9	OGUBA	Feed Bar Double Rubber Sucker Tip, L. H.	XD1E	Not Shown	OHBBM	Vibrator Box Stud Spring
RF-460	9	OGUCS	Feed Bar Double Rubber Sucker Tip, R. H.	XD1N	Not Shown	OHBEO	Vibrator Box Stud Nut
RF-461	9	OGUDI	1/4" Headless Set Screw Wrench	XD1P	Not Shown	OHBDI	Vibrator Box Stud Pin
RF-462	9	OGUFO	3/8" Headless Set Screw Wrench	XD1W	Not Shown	OHBEQ	Vibrator Box Stud Washer
RF-463	9	OGUGL	3/8" Headless Set Screw Wrench	XD1E	Not Shown	OHBUZ	Vibrator Box Flat Spring (Long)
RF-464	9	OGUHS	1/4" Square Head Set Screw Wrench	XD1ES	Not Shown	OHCAF	Vibrator Box Flat Spring
RF-465	9	OGUJM	1/4"-1 1/2" Open End Wrench	XD2 1/2 E	Not Shown	OHCEH	Vibrator Box Flat Spring (Short)
RF-466	9	OGUKA	1/2", 3/4" Open End Wrench	XD4A	1	OHCPJ	Vibrator Rod
RF-467	9	OGULP	Screw Driver	XD5AA	1	OHCOG	Vibrator Rod
RF-468	9	OGUMY	Oil Can	XD5D	Not Shown	OHCVU	Vibrator Rod Stop Pin
RF-475	8	OGUND	Two-Up Feed Table Center Finger Holder, R. H. (Special)	XD6D	Not Shown	OHDAK	Vibrator Rod Bushing Stop Pin
RF-476	8	OGUPL	*Two-Up Feed Table Center Finger, R. H. (Special)	XDBA	Not Shown	OHDEX	Vibrator Rod Warm
RF-477	8	OGURN	Two-Up Feed Table Center Finger Holder, L. H. (Special)	XDBD	Not Shown	OHDIK	Vibrator Rod Warm Stop Pin
RF-479A	8	OGUSH	Two-Up Feed Table Back Stop Bracket (Special)	XD9	Not Shown	OHDOC	Vibrator Ratchet Steel Ball
RF-479S	8	OGUTS	Two-Up Feed Table Back Stop Bracket Screw (Special)	XD10N	1	OHDTU	Vibrator Box Latch Wing Nut
RF-480A	8	OGUVE	*Two-Up Feed Table Long Back Stop Finger (Special)	XD10S	Not Shown	OHHEA	Vibrator Box Latch Screw
RF-481	8	OGUWI	Two-Up Feed Table Long Back Stop Finger Bracket (Special)	XD10 1/2 S	Not Shown	OHHCS	Vibrator Box Wash Nut Screw
RF-481S	Not Shown	OGUXA	Two-Up Feed Table Long Back Stop Finger Bracket Screw (Special)	XD11A	Not Shown	OHIEDL	Vibrator Ratchet Collar
				XD11P	Not Shown	OHIFPT	Vibrator Ratchet Collar Pin
				XD1XA	1	OHHRG	Vibrator Box, Left
				XD1XS	1	OHKJD	Vibrator Box Stud
				XD1X2	1	OHKRU	Vibrator Box, Right
				XD1X10A	1	OHHEM	Vibrator Box Latch

*Parts marked with an asterisk indicate special fitting and will be shipped with their mating part or parts.

IMPORTANT—Be sure to mention size of press for which parts are being ordered.



PRINTED IN U.S.A.