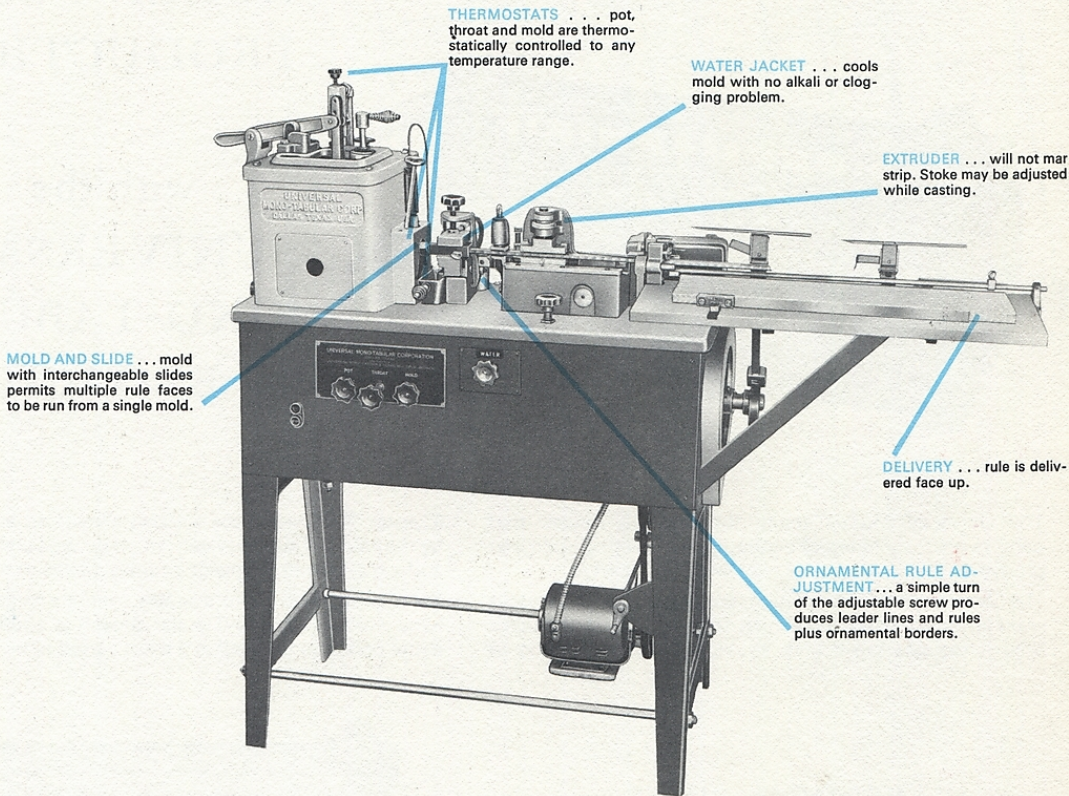


THE UNIVERSAL STRIP CASTER

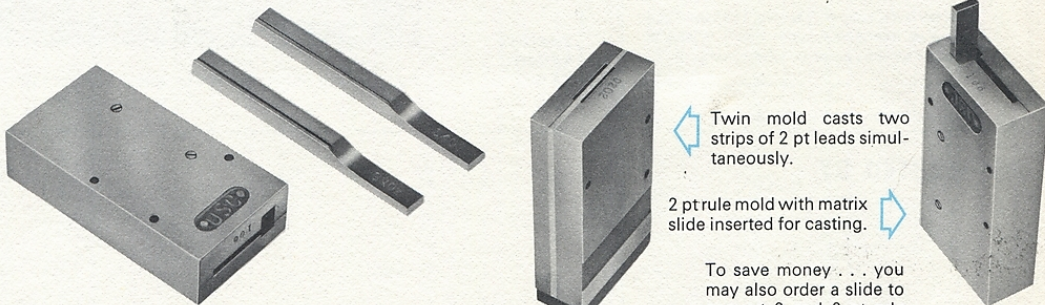


This versatile machine is designed to keep your composing room well stocked with all types of rules, leader lines and ornamental borders from 1 pt to as thick as 18 pt.

To gain the maximum variety of material from only a few molds, interchangeable matrix slides are available for inserting into molds. In this way as many as sixteen different faces may be cast from a single rule mold. Twin molds are also available for casting 1 pt, 2 pt and 3 pt leads and for 2 pt rules. Single molds are available for casting 4 pt, 6 pt, 12 pt and 18 pt

slugs. Strip spacing material may be cast in two heights, one of which may be used to support hand cast slugs.

The Universal Strip Caster can cast 70 lbs an hour of 2 pt hairline rules from a new twin mold or 35 lbs of 2 pt hairline rules from a single mold with extremely high quality maintained. You can also cast 70 lbs of 6 pt column rules an hour or 100 lbs an hour of 2 pt leads in 1 inch casts at 114 strokes per minute with production maintained on long runs.



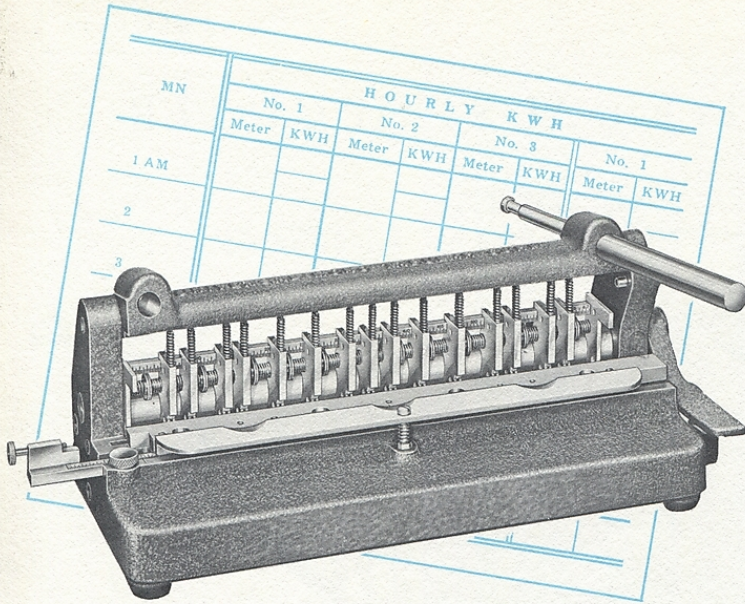
6 pt rule mold and two of the many interchangeable matrix slides.

To save money . . . you may also order a slide to convert 2 and 6 pt rule molds to 2 and 6 pt slug outputs.

TEL 610-426-9400
DEALER SERVICES
 3620 G STREET • PHILADELPHIA, PENN. 19134
GRAPHIC ARTS
 DIVISION OF LANSTON MONOTYPE COMPANY

SIMPLIFY RULED FORM PRODUCTION

with the UNIVERSAL MONO-TABULAR BROACH



The Universal Mono-Tabular Broach is a *system* that permits rapid punching of horizontal rules with a triangular rack so that vertical rules may be easily inserted.

The Broach cuts composition costs because it reduces makeup time to little more than spacing out. At the same time it reduces press time by eliminating registering in

lock-up. Type work-ups are also eliminated and forms set by the Mono-Tabular system stand up well under long runs and are preferred for making rubber plates or mats.

For a composing room that has even a minimum of ruled form work, the Mono-Tabular Broach is a real profit producer and pays for itself in a short period of time.

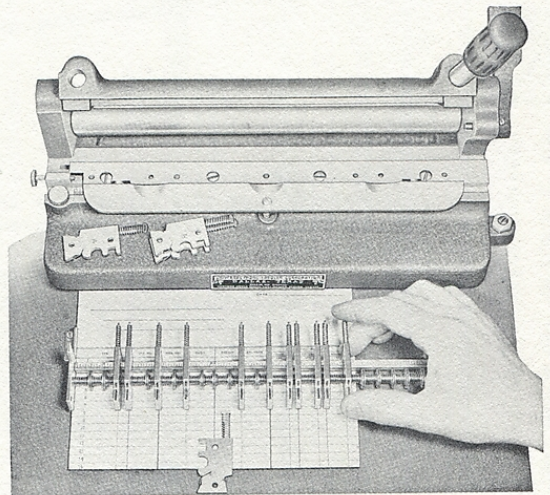
VERTICAL RULES

Use No. 1 Punch	}	_____	Hairline
		=====	1 point rule
Use No. 3 Punch	}	=====	Hairline Parallel
		=====	1 point parallel
		=====	2 point rule

STANDARD EQUIPMENT

Broach is equipped with ten No. 1 and five No. 3 punches, twenty-five punch mount wheels to provide for extra punches when needed.

SHIPPING
WEIGHT:
28 lbs.



Punches are accurately set by direct contact with copy.

Set In Monotype Univers and Caslon Caps.

DISTRIBUTED BY: