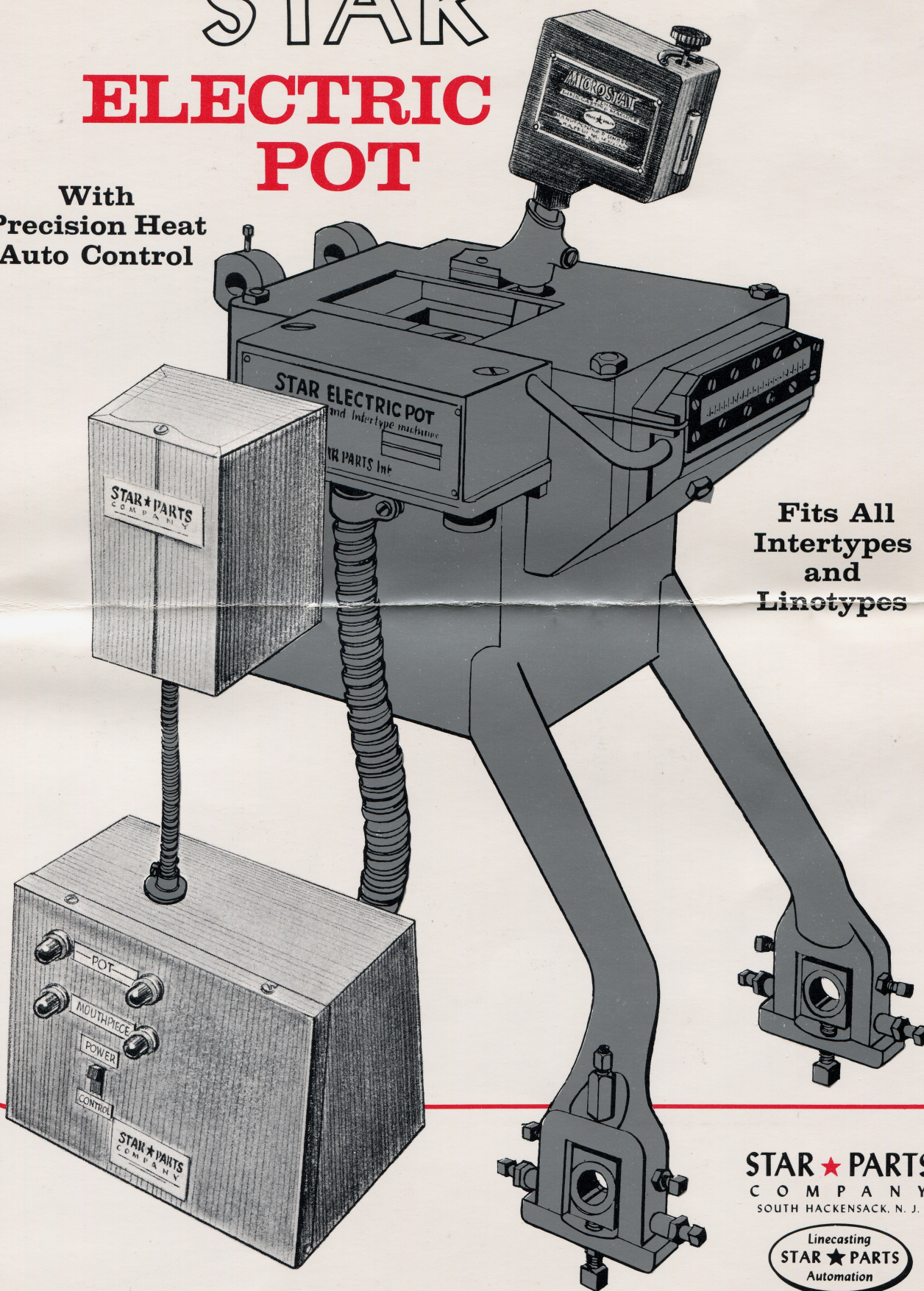


STAR ELECTRIC POT

With
Precision Heat
Auto Control



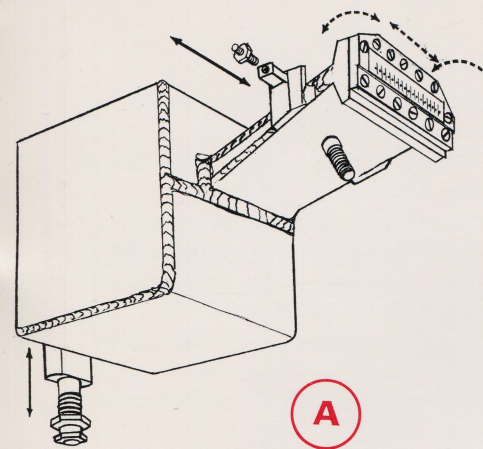
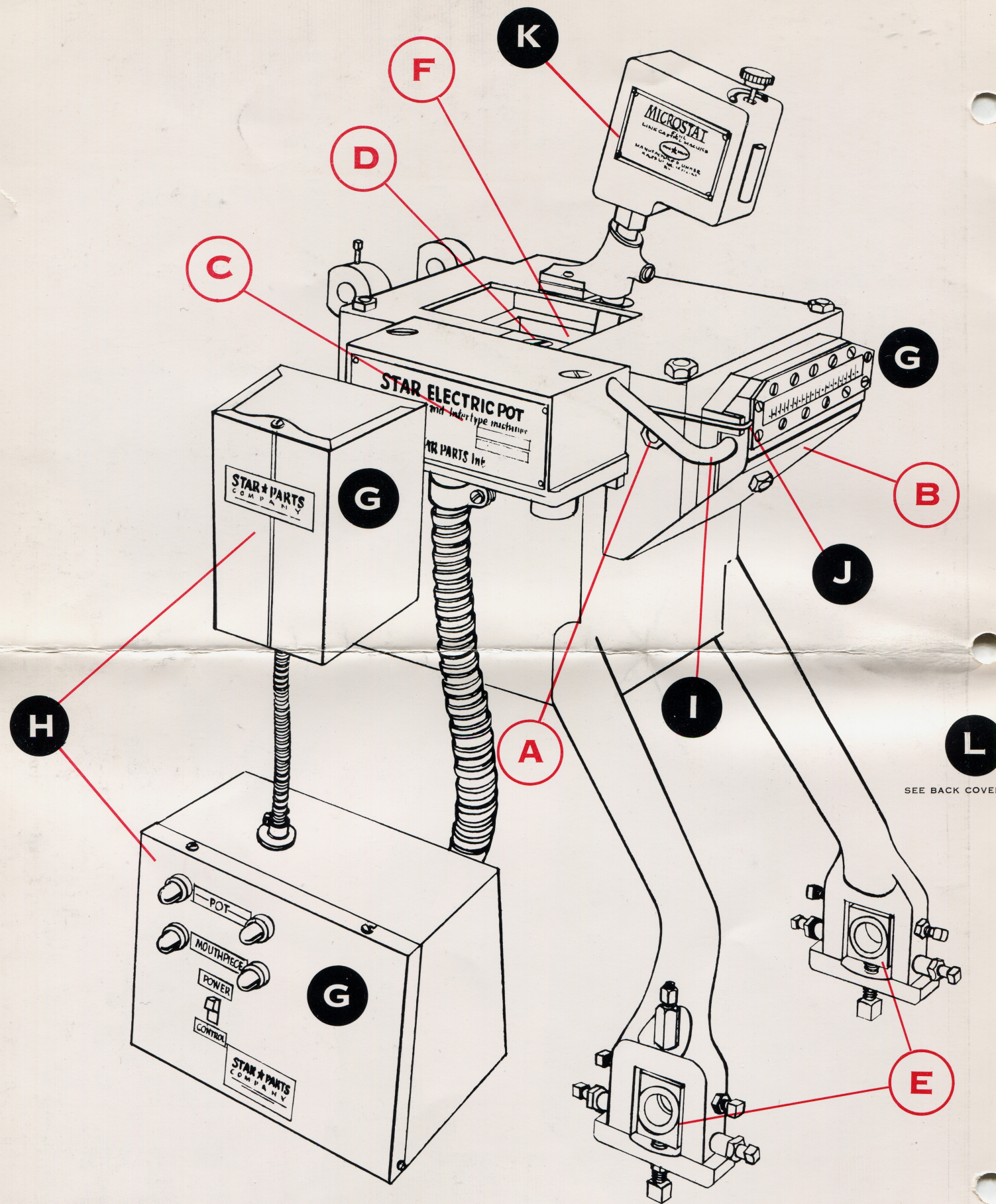
Fits All
Intertypes
and
Linotypes

STAR ★ PARTS
COMPANY
SOUTH HACKENSACK, N. J.

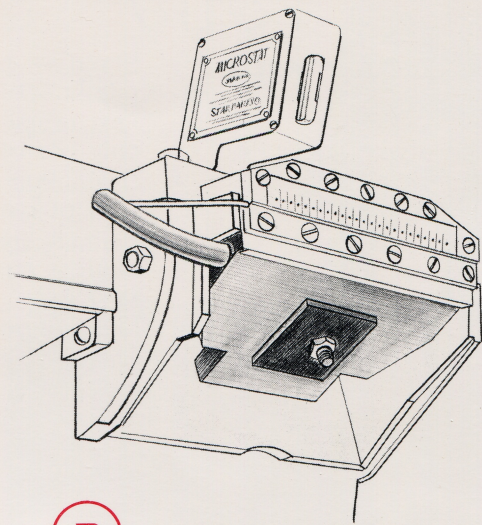
Linecasting
STAR ★ PARTS
Automation

A DIVISION OF POWERS & EATON Industries, Inc.

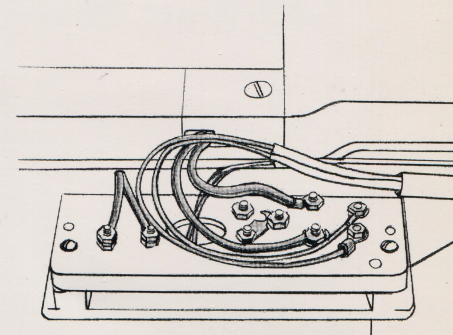
STAR ELECTRIC POT IMPROVED DESIGN . . .



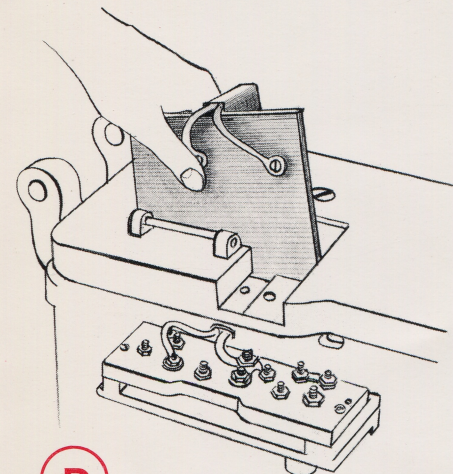
The crucible of the Star Improved Pot is separately adjustable, within the pot jacket, without disturbing the packing, pot legs or heating elements. An out-board adjusting screw tilts the crucible higher or lower, to facilitate complete mouthpiece-to-mold contact. Another pair of screws allows the crucible to be moved from side to side. These two additional adjusting points make back-up an easy job.



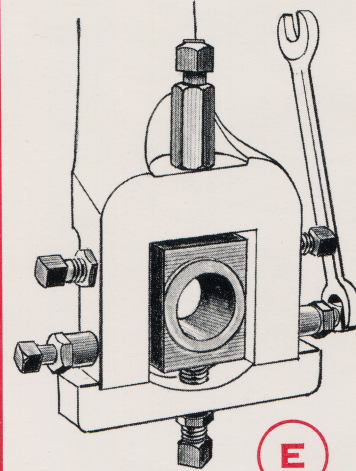
There is no need to dismantle the Star Pot when replacing the throat heater. Just remove a protective shield and the 1000-watt heater is immediately accessible. All lock-up adjustments remain unchanged, and there is no asbestos packing to replace. You are back in operation in a few minutes.



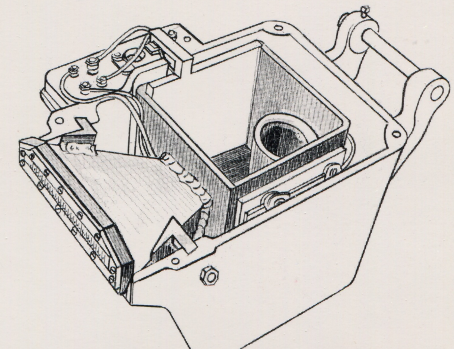
A stand-by heater is built into the Star Pot, ready for emergency use. It goes into operation, substituting for the regular heater, when one connection is changed in the terminal box. All heater connections are outboard for easy maintenance check.



An immersion crucible heater provides reliable pot heat. It fits the inside crucible wall and allows generous room for pig, and heat control rod. If dross accumulates and prevents efficient heat transfer, the element can be removed, cleaned with a wire brush, and reinstalled in about two minutes.

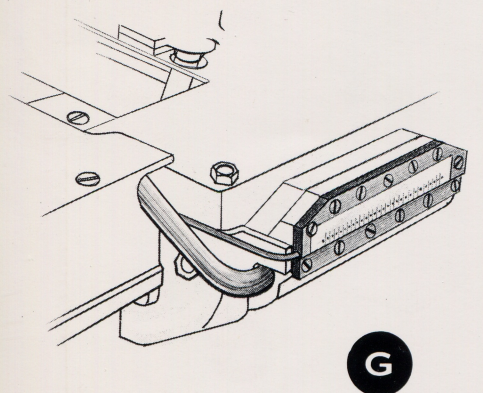


"Safety" leg cap extensions prevent accidental spreading and breakage. Extension nuts firmly lock the lower screws in position, yet provide easy accessibility. An oil hole, protected by a spring-loaded ball, passes through the upper adjusting screw and the bushing to the shaft.

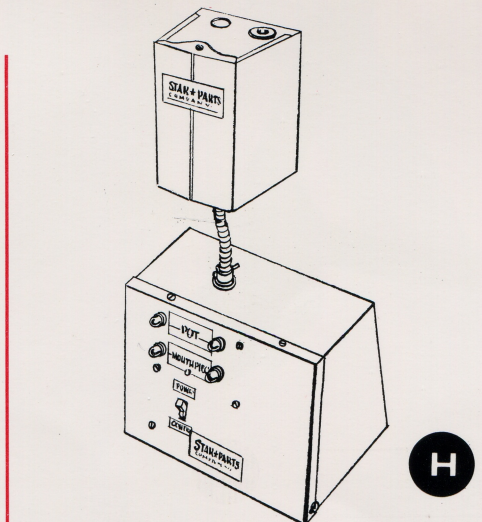


The new Star all-steel crucible is crack-proof and nonporous. Its smooth, rolled-steel finish is the ideal contact surface for throat heater attachment, transferring heat to crucible and metal at maximum efficiency. The steep pitch of the throat reduces trapped air to an absolute minimum.

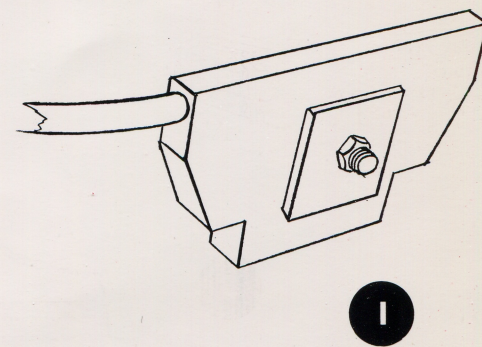
ADVANCED HEAT CONTROL FEATURES . . .



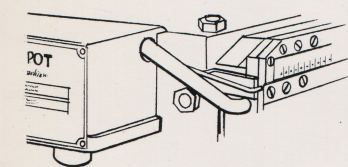
The Star Auto Control consists of a fast-acting thermal probe inside the mouthpiece; control box which electronically anticipates and "dampers" heat variation, and a combination box for fuses, power switch and operating indicator lights.



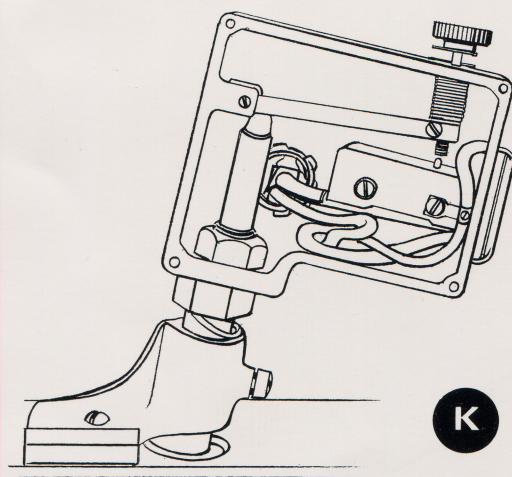
Included with the new Star Pot are the thermal control box and the fuse and indicating boxes. The mouthpiece controller can be set for the desired temperature, and changed as conditions require. The lower box is equipped with indicating lights, fuses, terminal strips and the power on-off switch for the entire pot system.



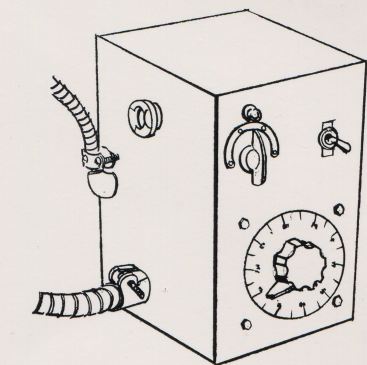
The Auto control is paired with a high performance 1000-watt throat heater, which is essential for high speed operation. Production of 9 or more lines per minute requires the fast heat recovery found in the 1000-watt element, since each contact with the mold "drains" heat from the mouthpiece.



The Star Auto Control features a unique thermal probe inserted in the mouthpiece. The probe reacts to a temperature change of only 1½°F. This sensitive control provides the accurate mouthpiece temperature so essential to solid slugs and good face.

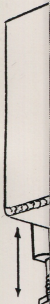


The Star Microstat is a time proven control of unusual simplicity and efficiency. Its close range operation has made it a standard heat control in composing rooms throughout the country. It is easily adjusted and practically maintenance free.



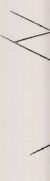
For standard speed machines the Star Pot can be equipped with a variable transformer and a 500-watt heater for throat and mouthpiece control. The variable transformer, unlike rheostats, consumes only the wattage for which it is set. No unwanted heat is wasted in resistance coils.

S

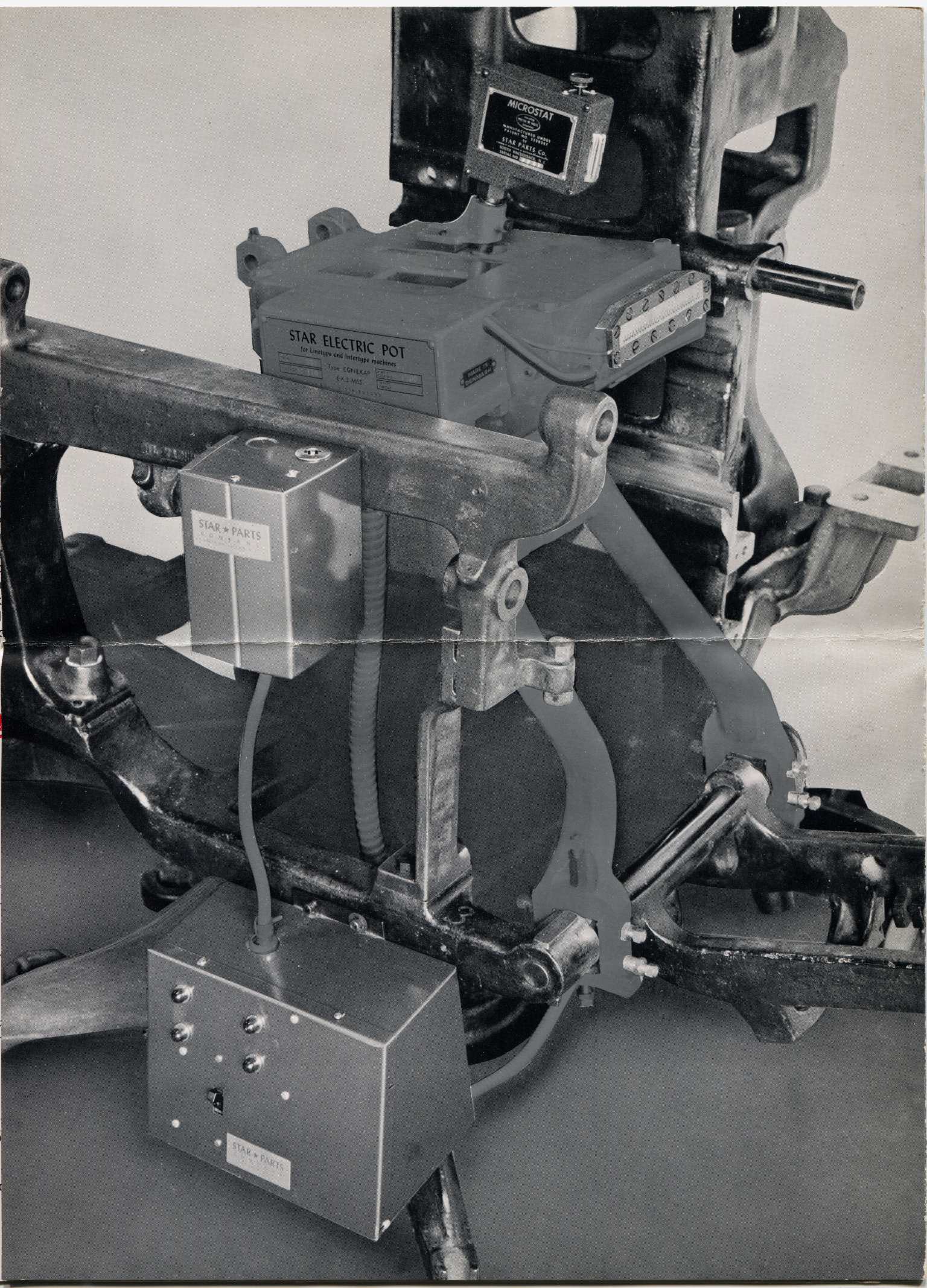


This is a jack pot for the bottom high motion part of the machine.

A

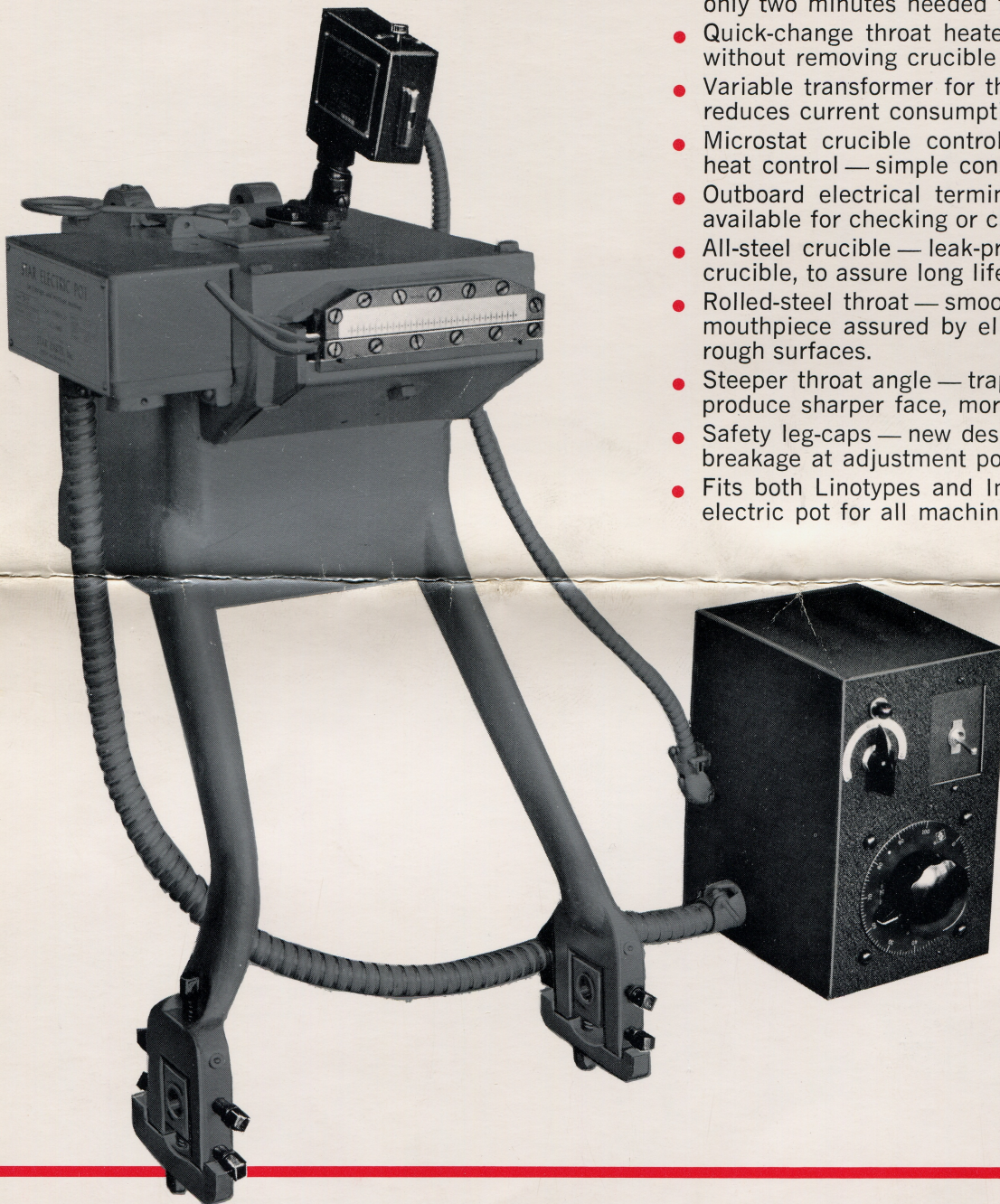


The motion and position indicator



STAR **ELECTRIC POT**

**With Variable Transformer and
500-Watt Throat Heater**



- Stand-by crucible heater — maintains top production if regular heater fails.
- Fast replacement of regular crucible heater — only two minutes needed for change.
- Quick-change throat heater — easy to replace without removing crucible or packing.
- Variable transformer for throat heat control — reduces current consumption.
- Microstat crucible control — accurate, reliable heat control — simple construction.
- Outboard electrical terminals — immediately available for checking or changing heaters.
- All-steel crucible — leak-proof and crack-proof crucible, to assure long life.
- Rolled-steel throat — smooth flow of metal to mouthpiece assured by elimination of rough surfaces.
- Steeper throat angle — traps less air, helps produce sharper face, more solid slug.
- Safety leg-caps — new design prevents leg breakage at adjustment point.
- Fits both Linotypes and Intertypes — a superior electric pot for all machines.



STAR PARTS Co.
SOUTH HACKENSACK, NEW JERSEY

A DIVISION OF **POWERS & EATON Industries, Inc.**

CHICAGO • DENVER • KANSAS CITY, MO. • LOS ANGELES • MINNEAPOLIS • MONTREAL