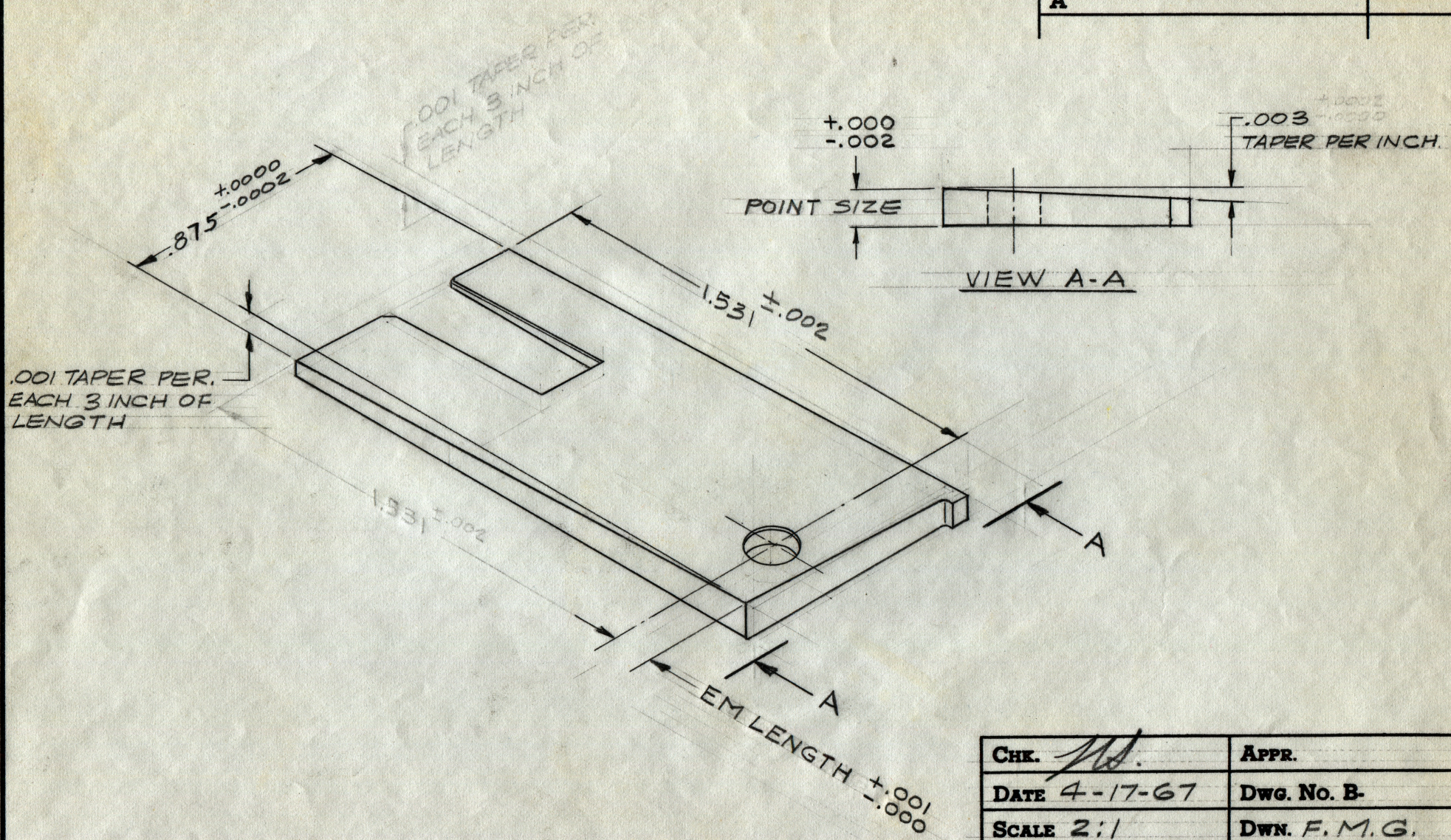


TOLERANCES UNLESS OTHERWISE SPECIFIED
 FRACTIONS $\pm 1/64$ DEC. 2 PL $\pm .01$
 ANGLES $\pm 1^\circ$ DEC. 3 PL $\pm .005$

STAR PARTS, INC.
 SOUTH HACKENSACK NEW JERSEY

PART No. LINER

REVISIONS	DATE
A	



CHK. <i>M.A.</i>	APPR.
DATE 4-17-67	DWG. No. B-
SCALE 2:1	DWN. F.M.G.
NAME	
LINER INFORMATION	
PART No. LINER	

MATERIAL - #416 STAINLESS STEEL (REF.)