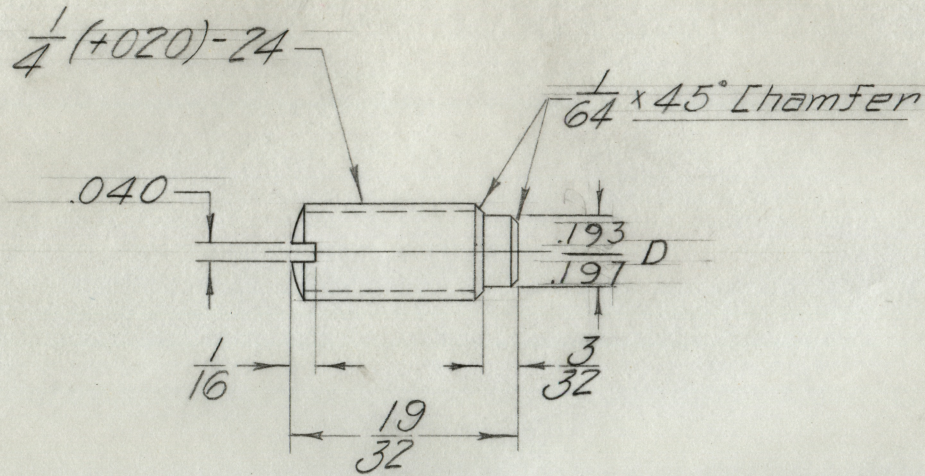


TOLERANCES UNLESS OTHERWISE SPECIFIED
 FRACTIONS $\pm \frac{1}{64}$ DEC. 2 PL $\pm .01$
 ANGLES $\pm 1^\circ$ DEC. 3 PL $\pm .005$

PART NO. F-584-F



Ammonide Harden

Heat Treat: Ammonide Harden

Material: $\frac{9}{32}$ D. C.R.S. B-1113

LINOTYPE PARTS COMPANY, INC. SOUTH HACKENSACK NEW JERSEY		
REVISIONS	DATE	SCALE 2=1
A		DWN. WAJ
B		CHR.
C		APPR.
NAME Mold Cap Clamping Screw Long (Oversize)		
MAT. SEE NOTE		DATE 9-13-51
DWG. No. B-3092		PART No. F-584-F