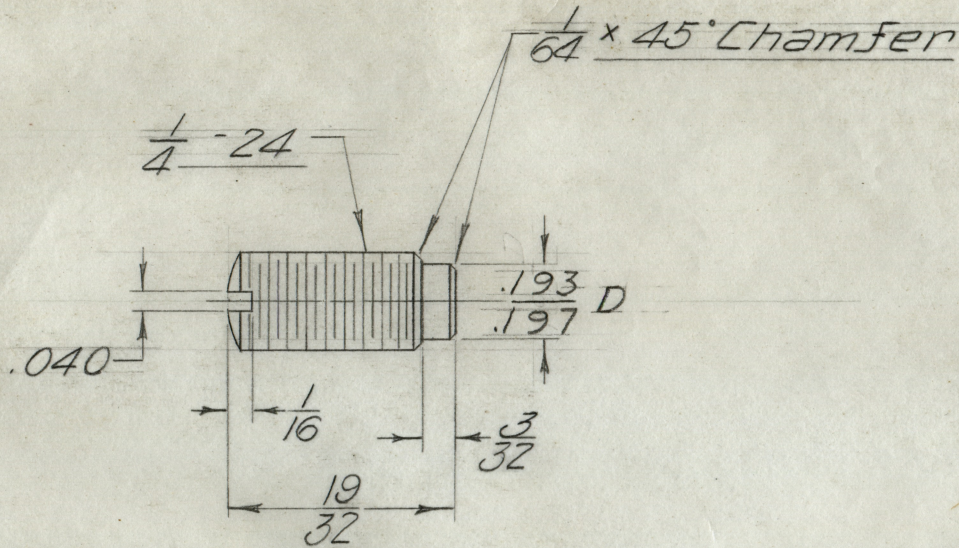


TOLERANCES UNLESS OTHERWISE SPECIFIED
 FRACTIONS $\pm \frac{1}{64}$ DEC. 2 PL. $\pm .01$
 ANGLES $\pm 1^\circ$ DEC. 3 PL. $\pm .005$

PART No. F-584



Transcribed from Harder

Material: $\frac{1}{4}$ D. C.R.S. B-1113 Ammonide Harden

LINOTYPE PARTS COMPANY, INC. SOUTH HACKENSACK NEW JERSEY		
REVISIONS	DATE	SCALE
A		DWN.
B		CHR.
C		APPR.
NAME Mold Cap Clamping Screw Long		
MAT. SEE NOTE		DATE 2-15-52
DWG. No. B-1430		PART No. F-584