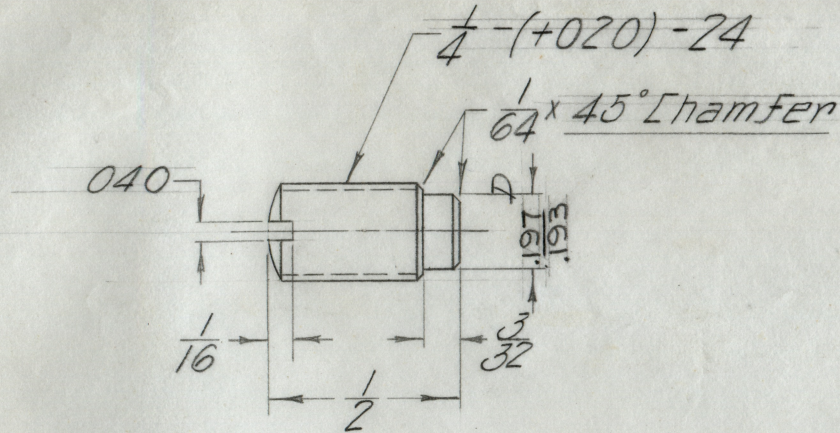


TOLERANCES UNLESS OTHERWISE SPECIFIED  
 FRACTIONS  $\pm 1/64$  DEC. 2PL  $\pm .01$   
 ANGLES  $\pm 1^\circ$  DEC. 3PL  $\pm .003$

PART No. F-14-F



Ammonide Harden

**LINOTYPE PARTS COMPANY, INC.**  
 SOUTH HACKENSACK NEW JERSEY

REVISIONS	DATE	SCALE 2=1
A		DWN. W.A.J.
B		CHR.
C		APPR.

**NAME**

Mold Cap Clamping Screw  
 Short (Oversize)

MAT. 9/32 D.C.R.S.	DATE 11-27-50
DWG. No. B- 2782	PART No. F-14-F