

UNLESS OTHERWISE SPECIFIED

FRACTIONS  $\pm \frac{1}{64}$   
DECIMALS  $\pm 2PL \pm .010$   
ANGLES  $\pm 1^\circ$

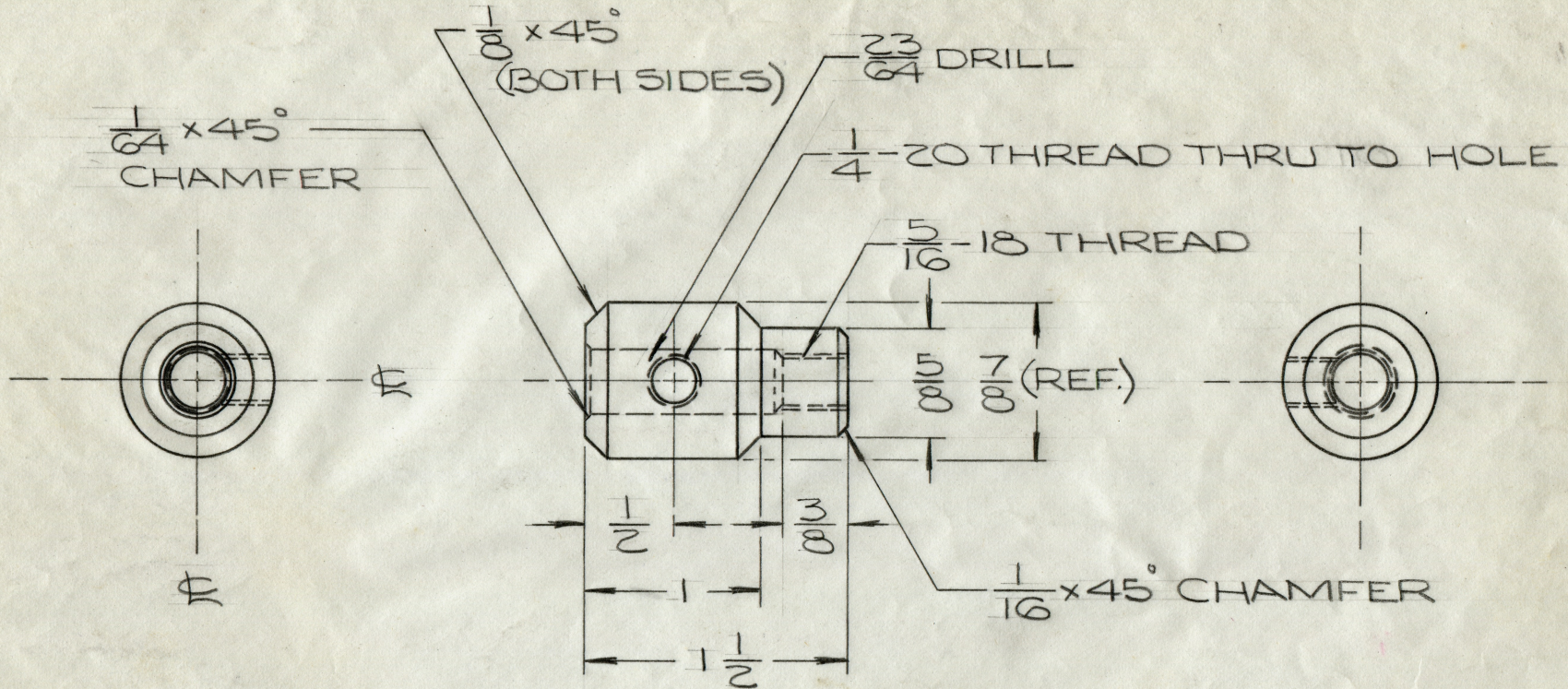
STAR PARTS, INC.  
SOUTH HACKENSACK NEW JERSEY

PART No. A-822-A-2

REVISIONS

DATE

A



CHK. <i>E.A.F.</i>	APPR. <i>[Signature]</i>
DATE 9-14-60	DWG. No. B-5798
SCALE FULL	DWN. GG
NAME JOINT, POT CRUCIBLE WELL BRUSH HANDLE	

PART No. A-822-A-2

MATERIAL:  $\frac{7}{8}$  DIA. C.R.S. (B-1113)