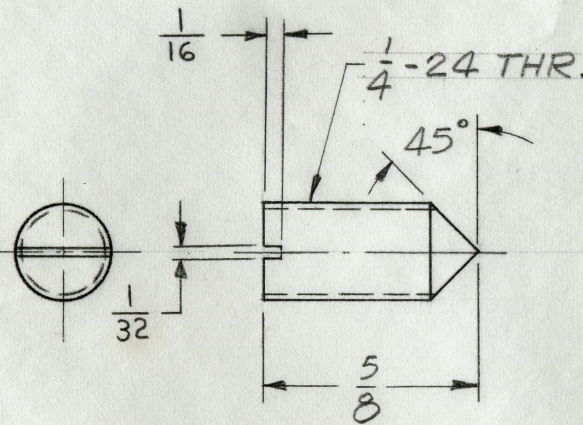


TOLERANCES UNLESS OTHERWISE SPECIFIED
FRACTIONS $\pm 1/64$ DEC. 2 PL $\pm .01$
ANGLES $\pm 1^\circ$ DEC. 3 PL $\pm .005$

STAR PARTS, INC.
SOUTH HACKENSACK NEW JERSEY

PART No. A-56

REVISIONS	DATE
A	



NOTE

1. FINISH: BLACK OXIDE

CHK. <i>JH.</i>	APPR. <i>F.M.G.</i> 5-4-67
DATE 5-3-67	DWG. No. B-8598
SCALE 2:1	DWN. F.M.G.
NAME	
SET SCREW	

MATERIAL: STEEL

PART No. A-56