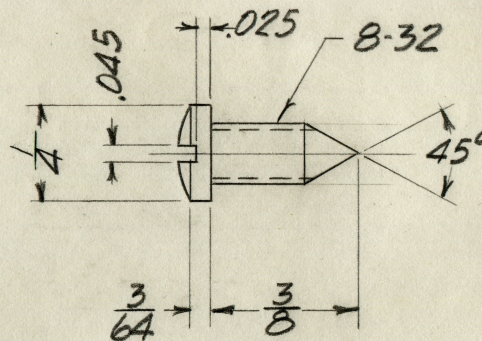


PART NO. A-25C



DATE Feb. 11-47
MAT. 4 CRS
SCALE 2=1
DWG. No. B- 1326

LINOTYPE PARTS COMPANY, INC.
SOUTH HACKENSACK, N. J.

PART NO. A-25C
Back Mold Wiper
Felt Retaining Screw