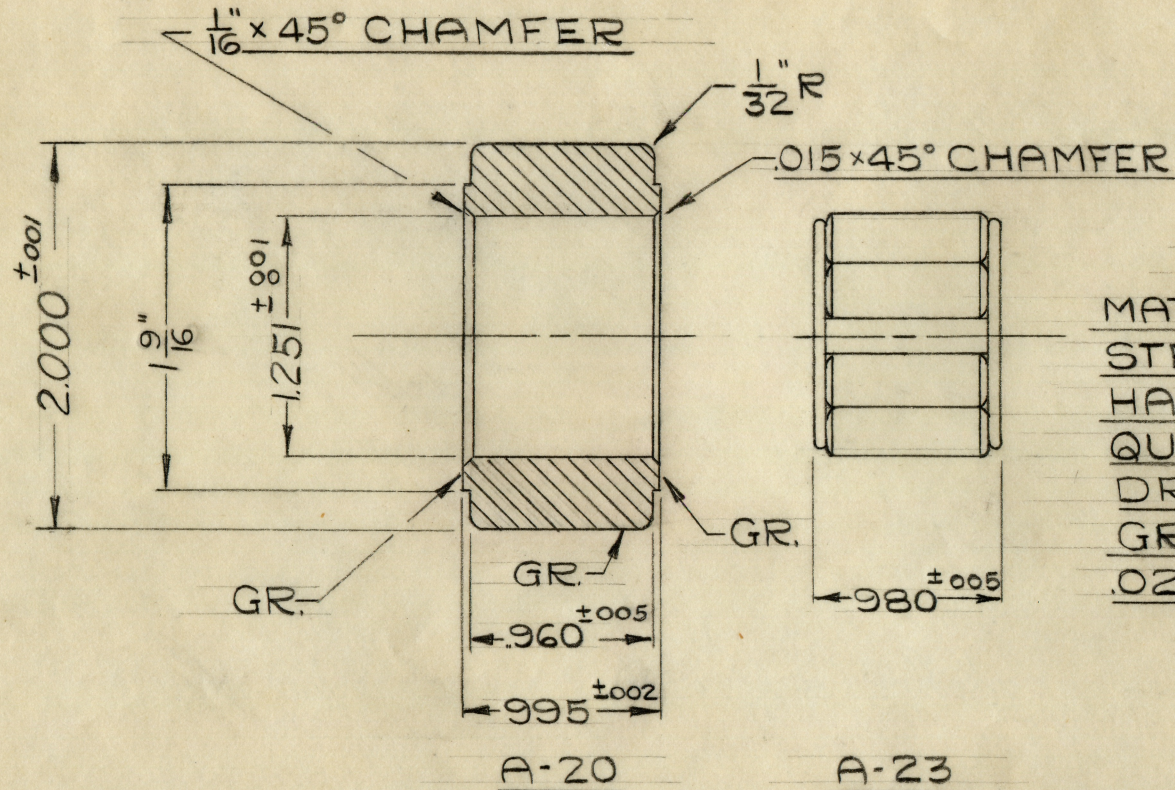


PART No. A20



DATA FOR A20 ONLY
MATERIAL - SAE 52100 CHROME
STEEL
HARDEN ROCKWELL C 60-62
QUENCH IN OIL 1550°
DRAW 350°-375
GREEN ALLOWANCE .015-
.020 OVERALL

Obsolete - See Dwg. B-4480

DATE DECEMBER 10, 1948

MAT. *CS*

SCALE 1=1

DWG. No. B-2322

LINOTYPE PARTS COMPANY, INC.

SOUTH HACKENSACK, N. J.

PART No. A20

POT PUMP CAM ROLL

& A23 ROLLER BEARING