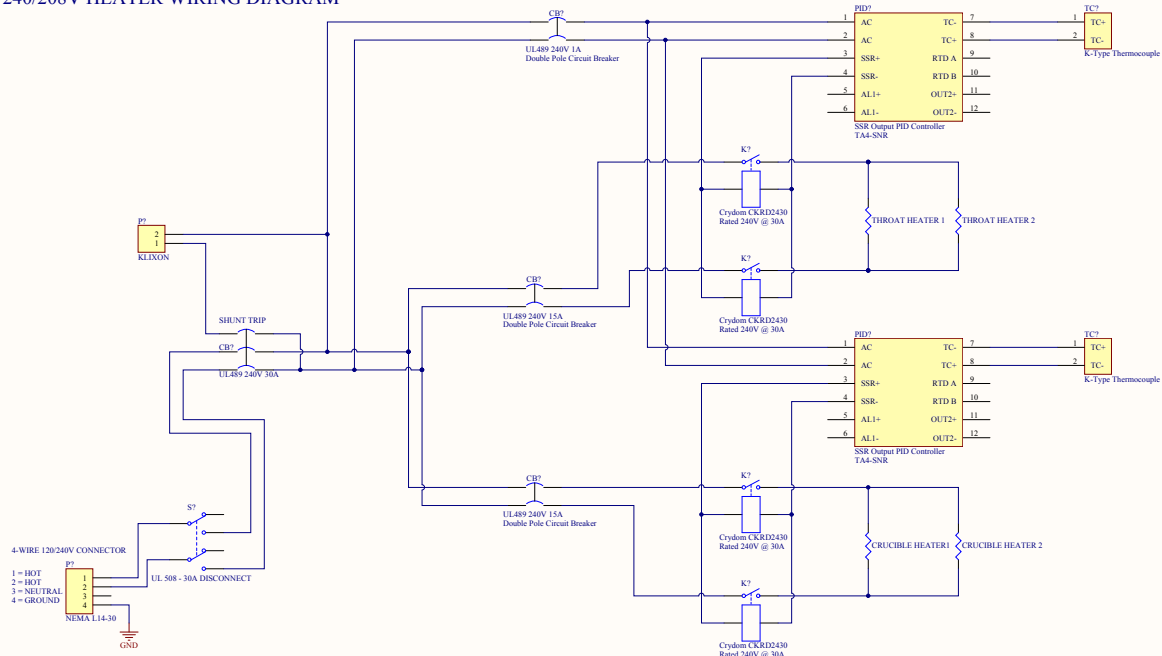
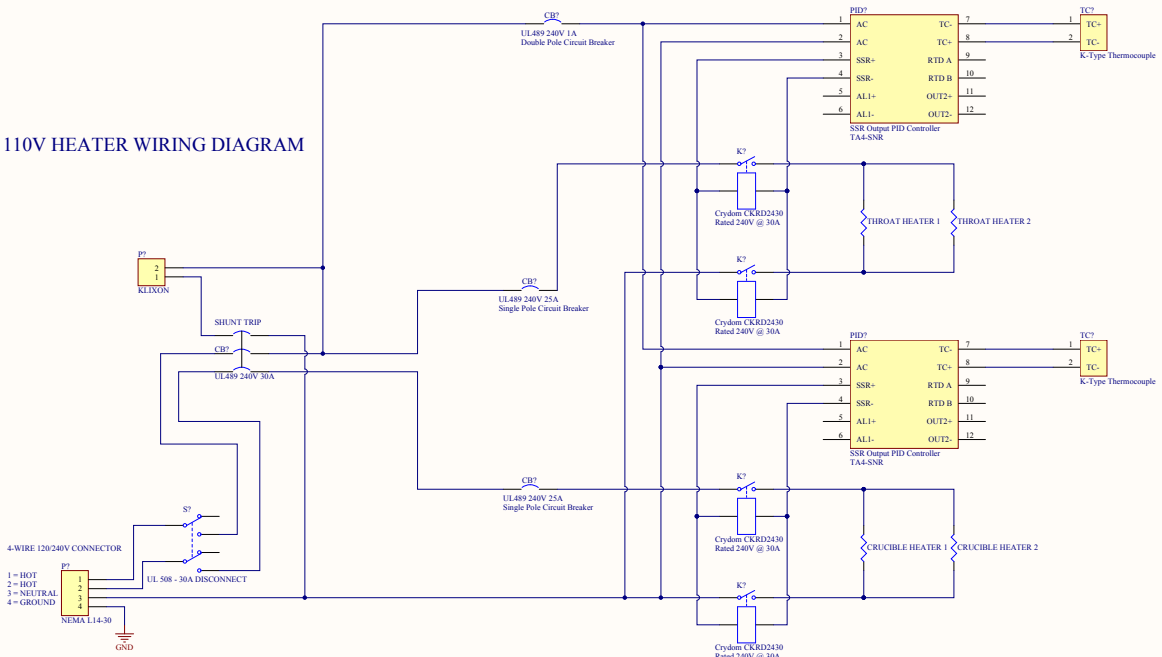


## 240/208V HEATER WIRING DIAGRAM



## 110V HEATER WIRING DIAGRAM



## NOTES

- PID CONTROLLER MUST BE SET TO K-TYPE THERMOCOUPLE INPUT!
- PAY CLOSE ATTENTION TO THE TEMPERATURE UNITS USED!
- RUN PID AUTOTUNE CYCLE ON FIRST HEATING TO SET PROPER PID LOOP PARAMETERS.
- NEUTRAL SIDE RELAYS ARE OPTIONAL, BUT RECOMMENDED, IN THE 110V WIRING DIAGRAM.
- NO WARRANTY. The technical information is provided "AS IS". Mark Turpin makes no warranties or representations, expressed, implied or statutory, including lack of viruses, accuracy, or implied completeness. Mark Turpin disclaims any warranty of title, any implied warranties or merchantability, fitness for a particular purpose, quiet enjoyment, quiet possession, and non-infringement of any third party intellectual property rights with regard to the technical information or the use of those materials.
- Limitations and exclusions of damages. In no event shall Mark Turpin be liable for any actual, special, incidental, consequential, or indirect damages, however caused, on any theory of liability and whether or not Mark Turpin has been advised of the possibility of such damages, arising in any way out of the technical information or the use of the technical information.
- No engineering services. User is fully responsible for all design decisions and engineering with regard to its products. By providing Technical Information Mark Turpin does not intend to offer or provide engineering services or advice concerning User's design. If User desires engineering services, then User should rely on its retained employees and consultants and/or procure engineering services from a licensed professional engineer ("LPE").
- This work is licensed under a Creative Commons Attribution-ShareAlike 4.0 International License.

Title		
Size	Number	Revision
A2		
Date:	3/29/2014	Sheet of
File:	C:\Users\jlm\OneDrive\Documents\Linotype\Heater\Controls\SchDoc	Drawn By: M. TURPIN